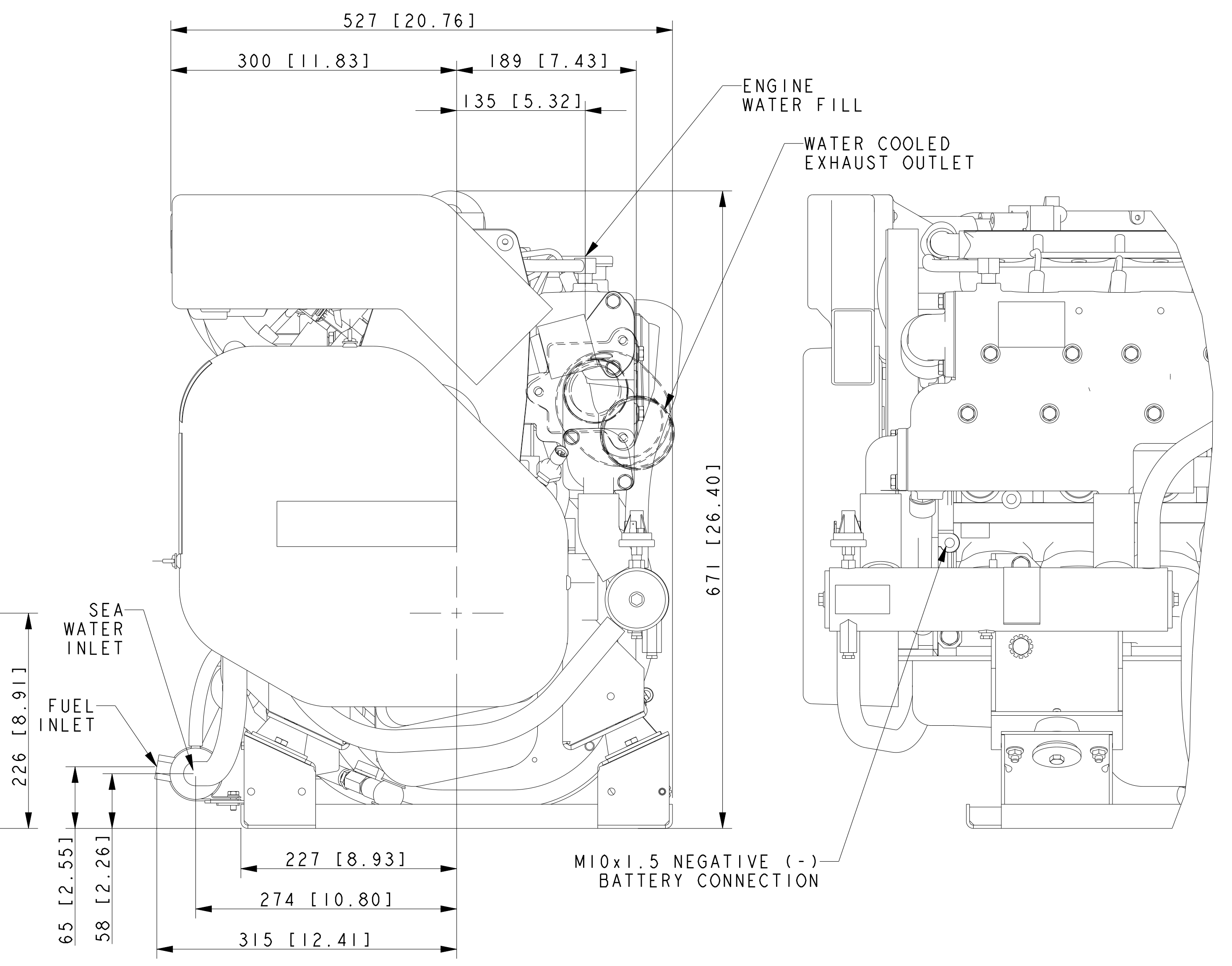
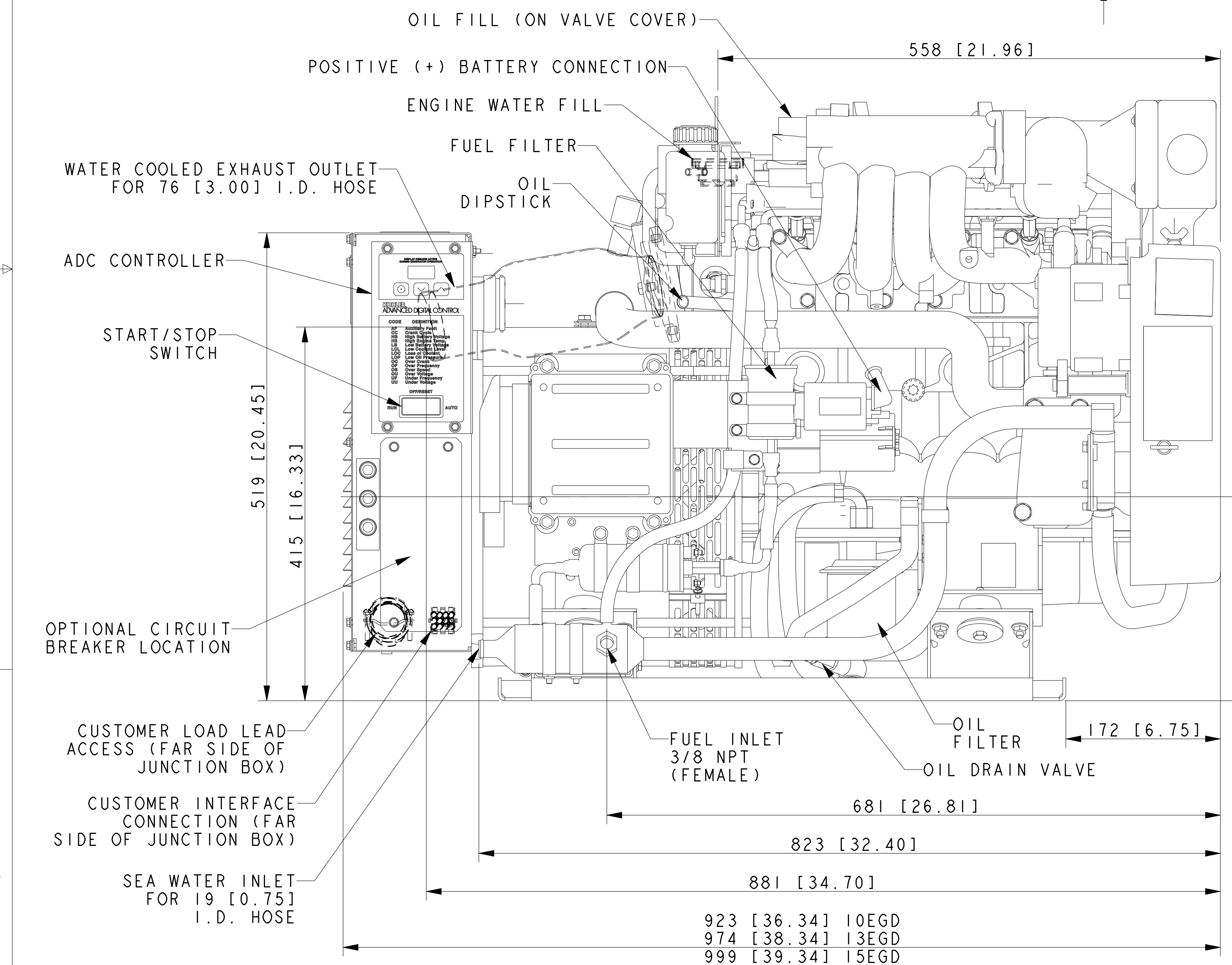
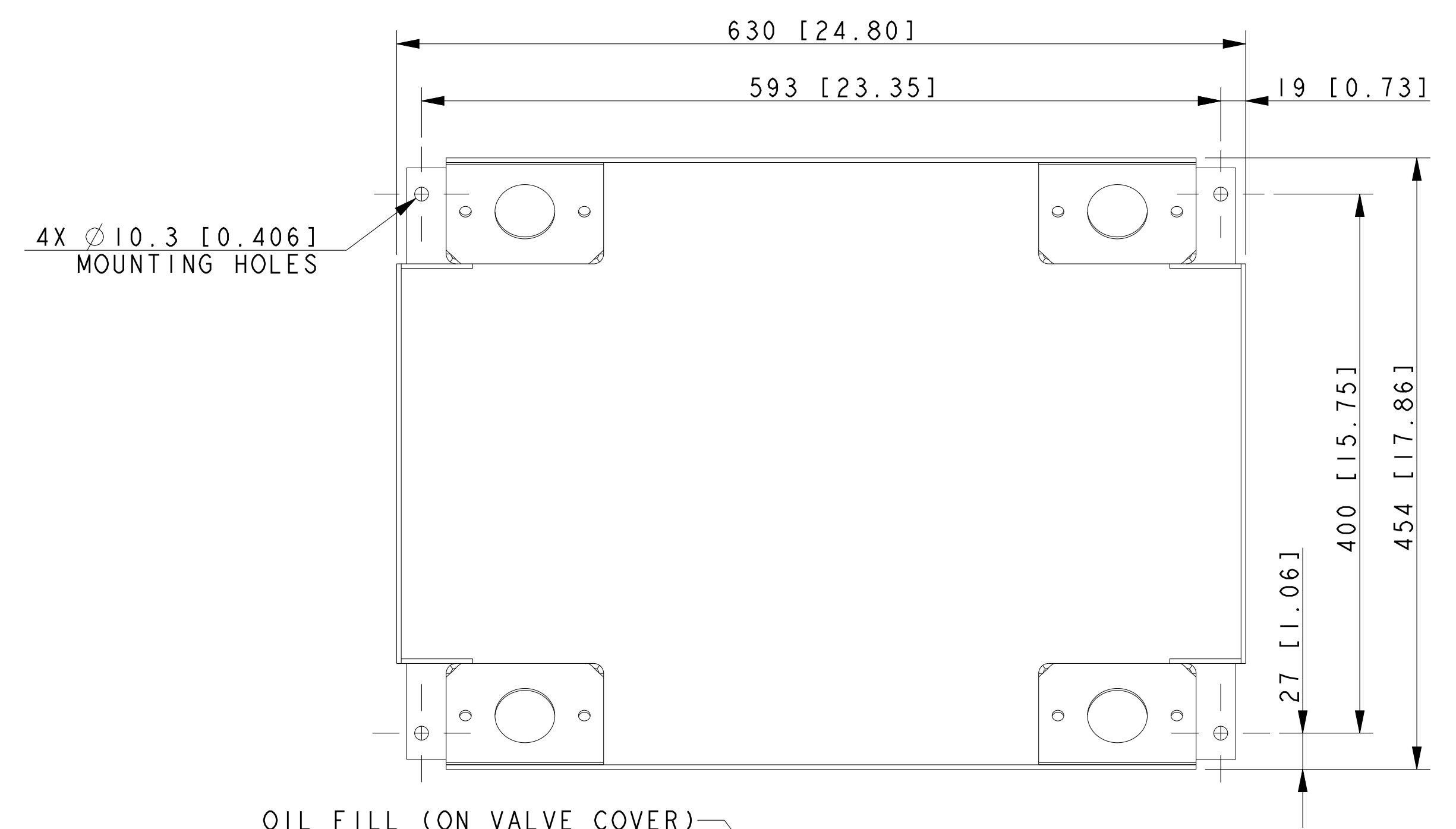


4X Ø10.3 [0.406]
MOUNTING HOLES



NOTE
DIMENSIONS IN [] ARE
INCH EQUIVALENTS.

10EGD/13EGD/15EGD
LOW CO GM 1.6L MARINE

REV	DATE	REVISION	BY
-	7-25-06	NEW DRAWING [77866]	DDH
A	4-1-10	SEE SHEET 2 OF 2 [89542]	DDH

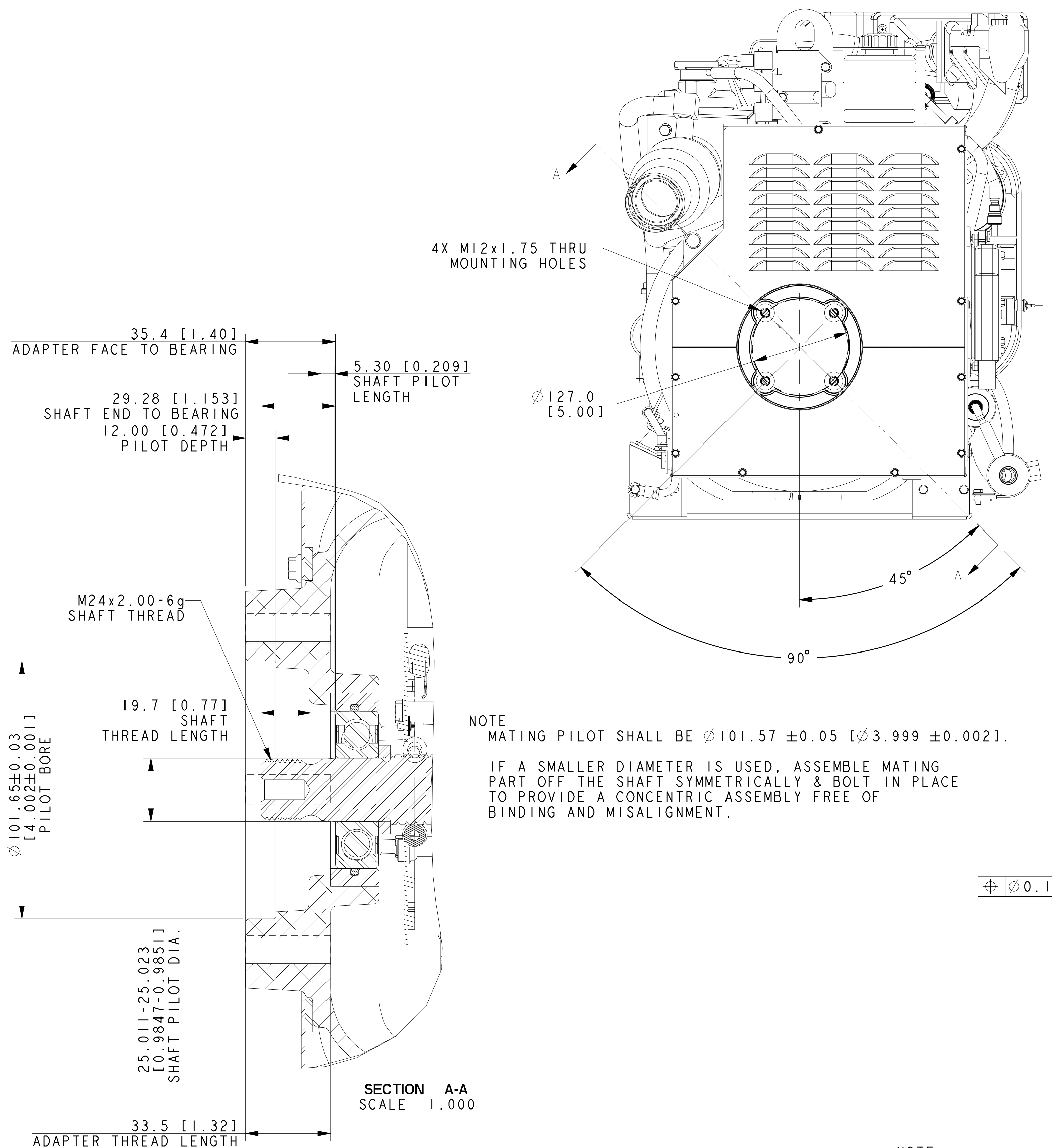
APPROVALS	DATE
DRAWN DDH	7-25-06
CHECKED DDH	7-25-06
APPROVED BMZ	7-25-06

UNLESS OTHERWISE SPECIFIED -
1) DIMENSIONS ARE IN MILLIMETERS
2) TOLERANCES ARE:
X.XX ± 0.25
X.X ± 1.0
X ± 1.5
ANGLES ± 0° 30' MAX.

KOHLER CO. METRIC PRO-E
POWER SYSTEMS, KOHLER, WI 53044 U.S.A.
THIS DRAWING IN DESIGN AND DETAIL IS KOHLER CO.
PROPERTY AND MUST NOT BE USED EXCEPT IN
CONNECTION WITH KOHLER CO. WORK. ALL RIGHTS OF
DESIGN OR INVENTION ARE RESERVED.

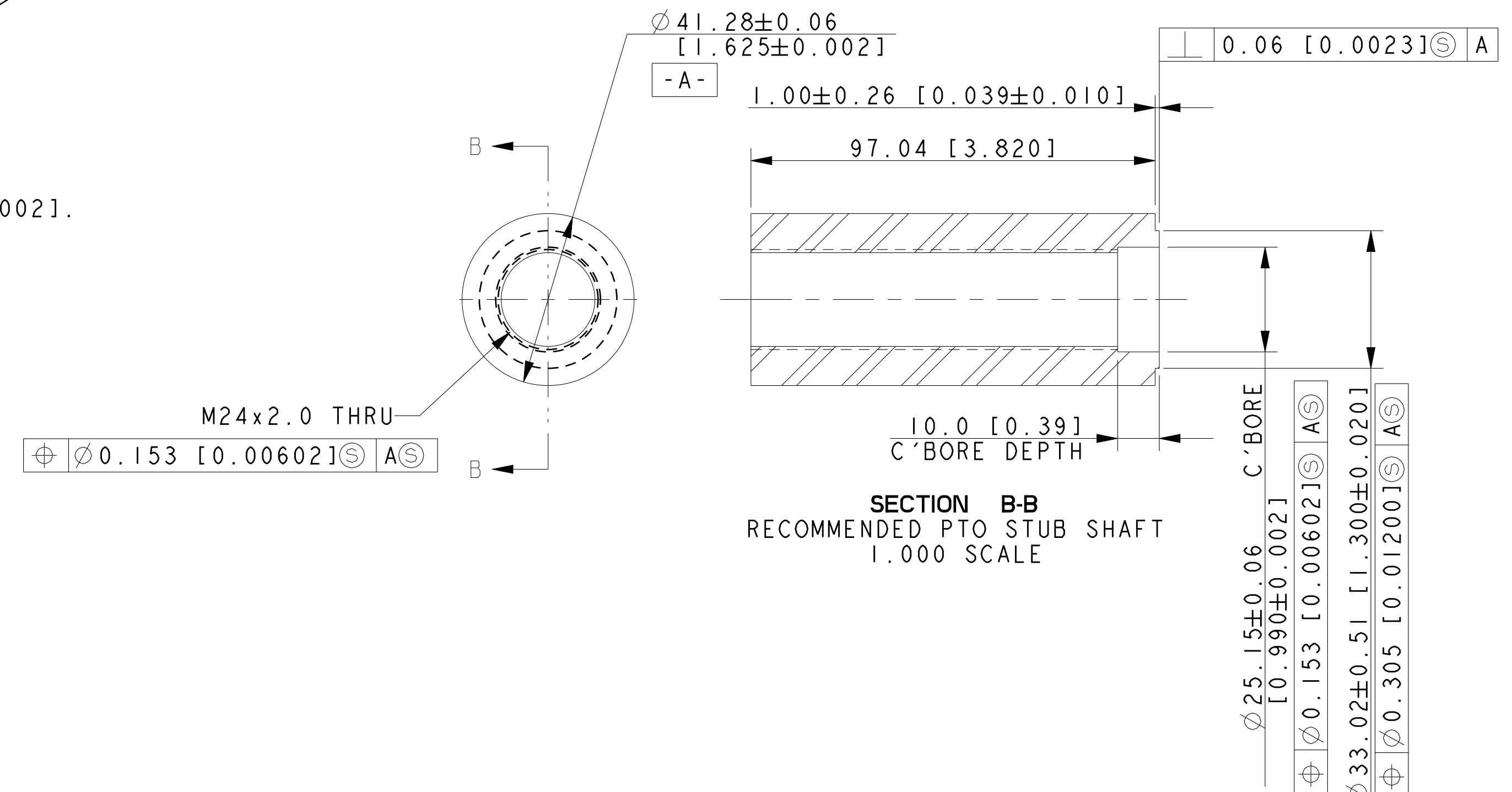
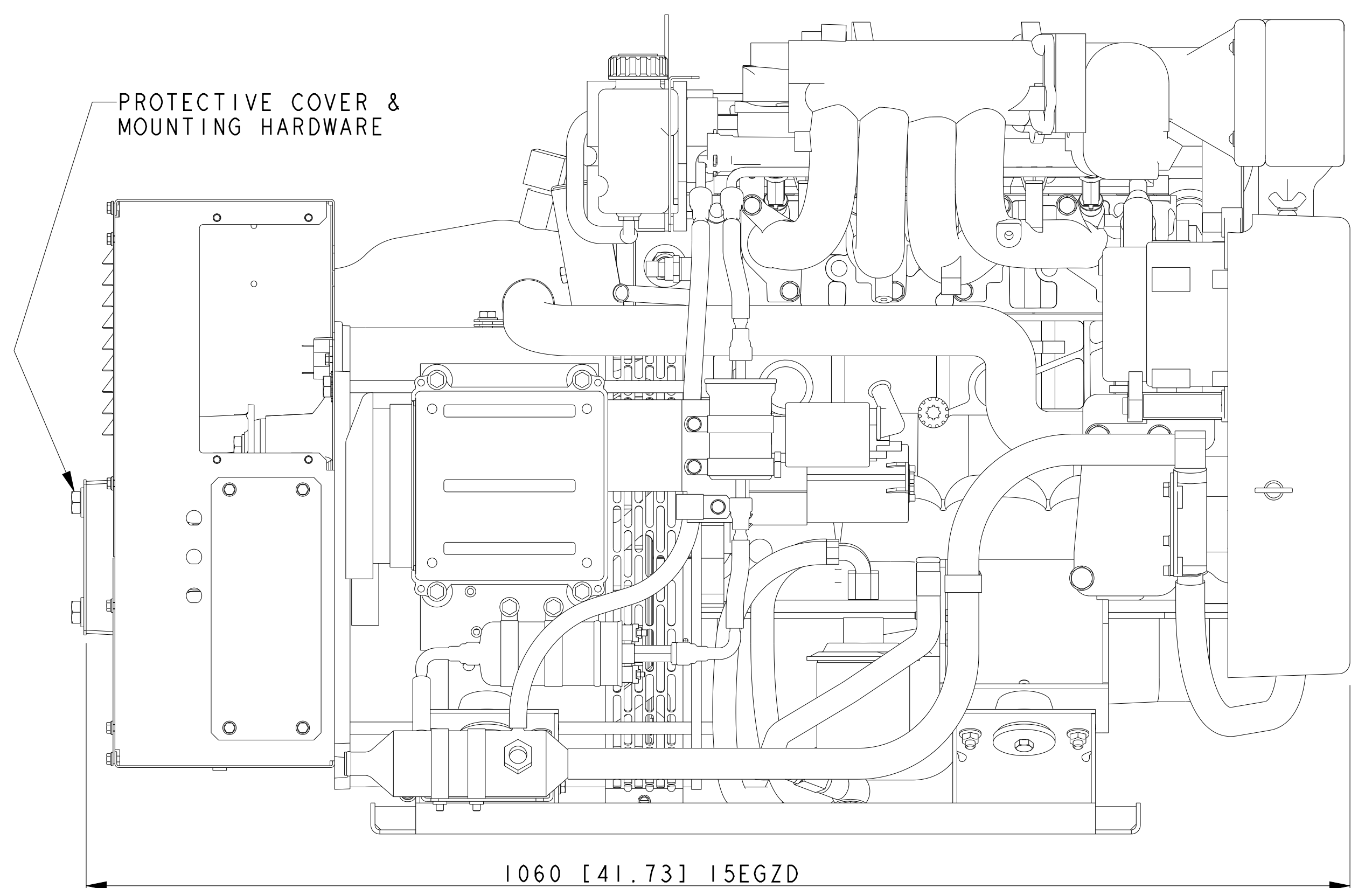
TITLE
DIMENSION PRINT

SCALE 1.00 CAD NO. SHEET 1 of 2
Dwg No. **ADV-7278** D



NOTE
MATING PILOT SHALL BE $\text{Ø}101.57 \pm 0.05$ [$\text{Ø}3.999 \pm 0.002$].
IF A SMALLER DIAMETER IS USED, ASSEMBLE MATING PART OFF THE SHAFT SYMMETRICALLY & BOLT IN PLACE TO PROVIDE A CONCENTRIC ASSEMBLY FREE OF BINDING AND MISALIGNMENT.

NOTE
DIMENSIONS IN [] ARE INCH EQUIVALENTS.



REV	DATE	REVISION	BY	UNLESS OTHERWISE SPECIFIED - 1) DIMENSIONS ARE IN MILLIMETERS 2) TOLERANCES ARE:	TITLE
-	7-25-06	NEW DRAWING [77866]	DDH	X.XX ± 0.25 X.X ± 1.0 X ± 1.5	KOHLER CO. METRIC PRO-E POWER SYSTEMS, KOHLER, WI 53044 U.S.A. THIS DRAWING IN DESIGN AND DETAIL IS KOHLER CO. PROPERTY AND MUST NOT BE USED EXCEPT IN CONNECTION WITH KOHLER CO. WORK. ALL RIGHTS OF DESIGN OR INVENTION ARE RESERVED.
A	4-1-10	(B-6) NOTE ADDED; (C-2) 13EGZD DIMENSION REMOVED [89542]	DDH	ANGLES ± 0° 30'	
THIRD ANGLE PROJECTION					DIMENSION PRINT
APPROVALS			DATE		SCALE 0.30 CAD NO. SHEET 2 of 2
DRAWN DDH			7-25-06		ADV-7278
CHECKED DDH			7-25-06		
APPROVED BMZ			7-25-06		D

15EGZD
LOW CO GM 16L MARINE W/PTO