

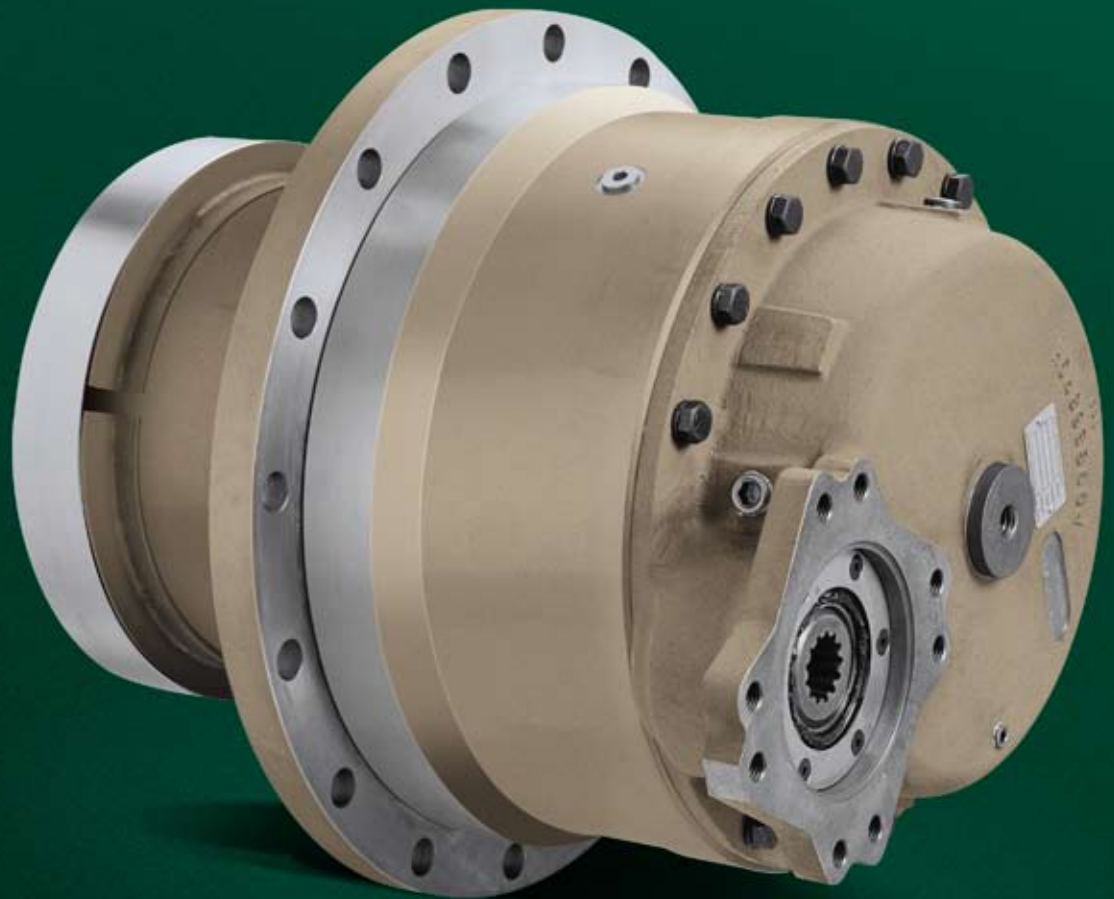
Planetary Gear Drives

Funk Drivetrain Components



JOHN DEERE

When your success revolves on reliability, turn to high-torque planetary drives



Your source for flexible and reliable planetary drives

Five dependable models offered with two output configurations — speed reducer and track drive

We offer a complete line of Funk™ planetary gear drives for OEMs in the ag, construction, manufacturing, marine, mining, and petroleum industries.

Applications for these durable drives include conveyers, cranes, crawlers, excavators, road rollers, track vehicles, winches, and many others.

- Maximum input power up to 168 kW (225 hp)
- Intermittent output torque up to 162,696 Nm (120,000 lb-ft)
- Continuous output torque up to 88,127 Nm (65,000 lb-ft)
- Ratios available from 3.27 to 194:1 (depending on model selected)

Planetary gear drive options

Choose from a wide selection of planetary gear drives to meet the needs of your design. Each series provides unique benefits that have been developed through years of design research and practical application.

Whether you need reducer drives or track drives, you can count on Funk planetary gear drives to deliver durability, performance, and superior engineering. Our drive designs include various ratios of input gear reduction sets, along with single and multiple combinations of center-section planetary gears that drive power through output arrangements to accommodate your reducer and track drive applications.

Our regional distributor network will assist you in analyzing our planetary gear drives and selecting the one that best fits the needs of your application.

NOTE: All data and specifications are subject to change without notice or obligation. Application and installation are subject to review.

Planetary drive specifications

Drive type	Series model	Output torque Nm (lb-ft)		Ratio range ⁵	Max input speed rpm ¹	Max radial load kgf (lb) ²	Max input power kW (hp)	Approx. weight kg (lb) ³
		Intermittent	Continuous					
Speed reducer	F9R	12,880 (9500) ⁴	8135 (6000)	3.27 – 117:1	2800	14,287 (31,500)	27 (36)	100 – 181 (220 – 400)
	F12R	16,948 (12,500)	10,168 (7500)	7.3 – 119:1	2800	14,287 (31,500)	35 (48)	91 – 122 (200 – 270)
	F25R	33,895 (25,000)	18,710 (13,800)	7.5 – 122:1	2800	28,570 (63,000)	71 (95)	215 – 263 (475 – 580)
Track	P65T	88,127 (65,000)	56,944 (42,000)	51 – 179:1	4000	49,887 (110,000)	138 (185)	580 – 644 (1279 – 1419)
	P120T	162,696 (120,000)	88,127 (65,000)	64 – 194:1	4000	104,308 (230,000)	168 (225)	912 – 927 (2011 – 2044)

¹Maximum input speed related to ratio and maximum output speed.

²Maximum radial load placed at optimum load position.

³Weight varies with configuration and ratio selected.

⁴Requires tapered roller planet bearings (not available with all ratios).

⁵Actual ratio is dependent on the drive configuration.

⚠ WARNING VEHICLE RUNAWAY HAZARD This transmission is not a braking system. Install transmission only if there is a braking system capable of stopping vehicle with dead engine, disengaged transmission, or loss of hydrostatic retardation. Otherwise, vehicle may roll freely, resulting in loss of control or serious or fatal injury.

Proven off-highway performance

Your equipment deserves nothing less

Staying true to the John Deere commitment, Funk drivetrain components incorporate over 150 years of off-highway vehicle experience.

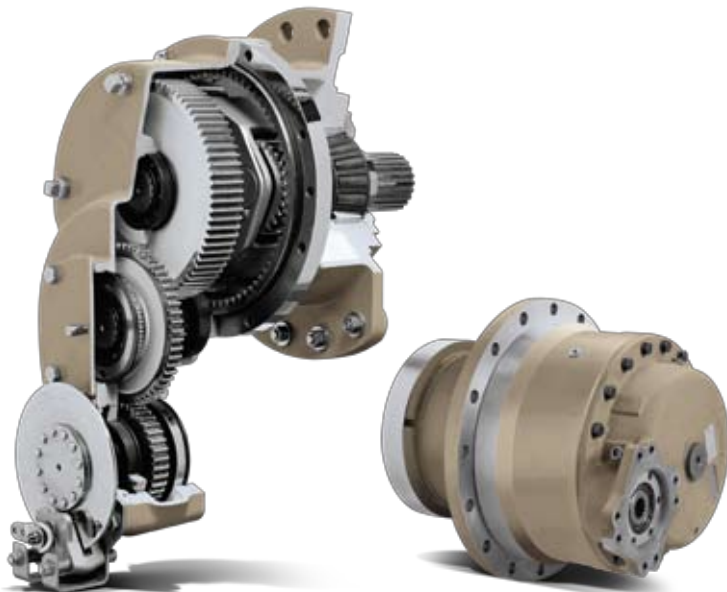
Our continued promise is to provide you with an array of robust designs to meet your demanding OEM needs. When you choose a Funk planetary gear drive, you know you are getting the best combination of performance, reliability, and durability.

Our application engineers are ready to assist you in selecting the options that best fit your needs. We also offer dedicated OEM service and long-term aftermarket support.

To see the value we can add to your equipment, call us today at 1-800-533-6446.

The power of a worldwide support network

With John Deere, you never have far to go to find expert assistance and advice. The more than 4,000 service locations throughout the world give you peace of mind that you can get service when and where you need it.



F series input-output options

Model	Input configurations	Center section	Output configurations	Output shafts
F12 and F25	<p>"O" SINGLE OFFSET (F12 AND F25 MODELS)</p> <p>"L" LONG OFFSET</p>		<p>"P" PEDESTAL MOUNT</p> <p>"R" RADIAL MOUNT</p>	<p>KEYED ***</p> <p>SPLINED</p>
F9				

Model	Outputs	Inputs	Dimensions						
			A standard	B* optional	C	D	E	F	G
F9	R	C	SAE "C" 1/2" - 13 UNC 4 PLCS. ON 162 (6.375) B.C.D.	SAE "D" 3/4" - 10 UNC 4 PLCS. ON 228.6 (9.000) B.C.D.	356 (14.0)	95.3 (3.75)	One stage W/SAE "D" PAD 378 (14.88) W/SAE "C" PAD 387 (15.25)	Two stage W/SAE "D" PAD 460 (18.13) W/SAE "C" PAD 470 (18.5)	Three stage W/SAE "D" PAD 543 (21.38) W/SAE "C" PAD 552 (21.75)
F12	R	L, O	SAE "C" 1/2" - 13 UNC 4 PLCS. ON 162 (6.375) B.C.D.	SAE "B" 1/2" - 13 UNC 4 PLCS. ON 127 (5.000) B.C.D.	—	181 (7.13)	76 (3.00)	305 (12.0)	—
F25	P, R	L, O	SAE "C" 1/2" - 13 UNC 4 PLCS. ON 162 (6.375) B.C.D.	SAE "D" 3/4" - 10 UNC 4 PLCS. ON 228.6 (9.000) B.C.D.	—	204 (8.02)	90 (3.53)	381 (15.0)	—

Product information



F9 model

Output rotation — same as input on all models

Gear ratios:

One-stage — 3.27:1, 4.89:1

Two-stage — 10.7:1, 16.0:1, 23.9:1

Three-stage — 35.0:1, 52.3:1, 78.2:1, 116.9:1

Hydraulic motor mounting — SAE “B,” “C,” or “D” 2- or 4-bolt

Input spline — 13T, 16/32P 14T, 12/24P 13T, 8/16P, 30° P.A.

Output shaft — splined — 23T, 8/16P, 30° P.A.

Output shaft — keyed — 3” (nom.) dia. 5/8” key width

F12 model

“O” input configuration

Output rotation — opposite input

Gear ratios — 7.34:1, 10.76:1, 13.15:1, 24.14:1

Hydraulic motor mounting — SAE “B” 2- or 4-bolt or SAE “C” 4-bolt

Input spline — 13T, 16/32P 14T, 12/24P, 30° P.A.

Output shaft — splined — 29T, 8/16P, 30° P.A.

“L” input configurations

Output rotation — same as input

Gear ratios — 19.73:1, 28.94:1, 36.22:1, 44.25:1, 53.12:1, 64.95:1, 81.22:1, 119.21:1

Hydraulic motor mounting — SAE “B” or “C,” 2- or 4-bolt

Input spline — 13T, 16/32P 14T, 12/24P, 30° P.A.

Output shaft — splined — 29T, 8/16P, 30° P.A.

F25 model

“O” input configuration

Output rotation — opposite input

Gear ratios — 7.50:1, 11.07:1, 13.75:1, 16.43:1, 20.00:1, 24.67:1

Hydraulic motor mounting — SAE “C” or “D,” 4-bolt

Input spline — 14T, 12/24P 13T, 8/16P, 30° P.A.

Output shaft — splined — 33T, 8/16P, 30° P.A.

Output shaft — keyed — 4” (nom.) dia. 1” key width

“L” input configuration

Output rotation — same as input

Gear ratios — 37.00:1, 54.61:1, 81.05:1, 121.67:1

Hydraulic motor mounting — SAE “C” 2- or 4-bolt or SAE “D” 4-bolt

Input spline — 14T, 12/24P 13T, 8/16P, 30° P.A.

Output shaft — splined — 33T, 8/16P, 30° P.A.

Output shaft — keyed — 4” (nom.) dia. 1” key width

Lubrication

Splash lubrication

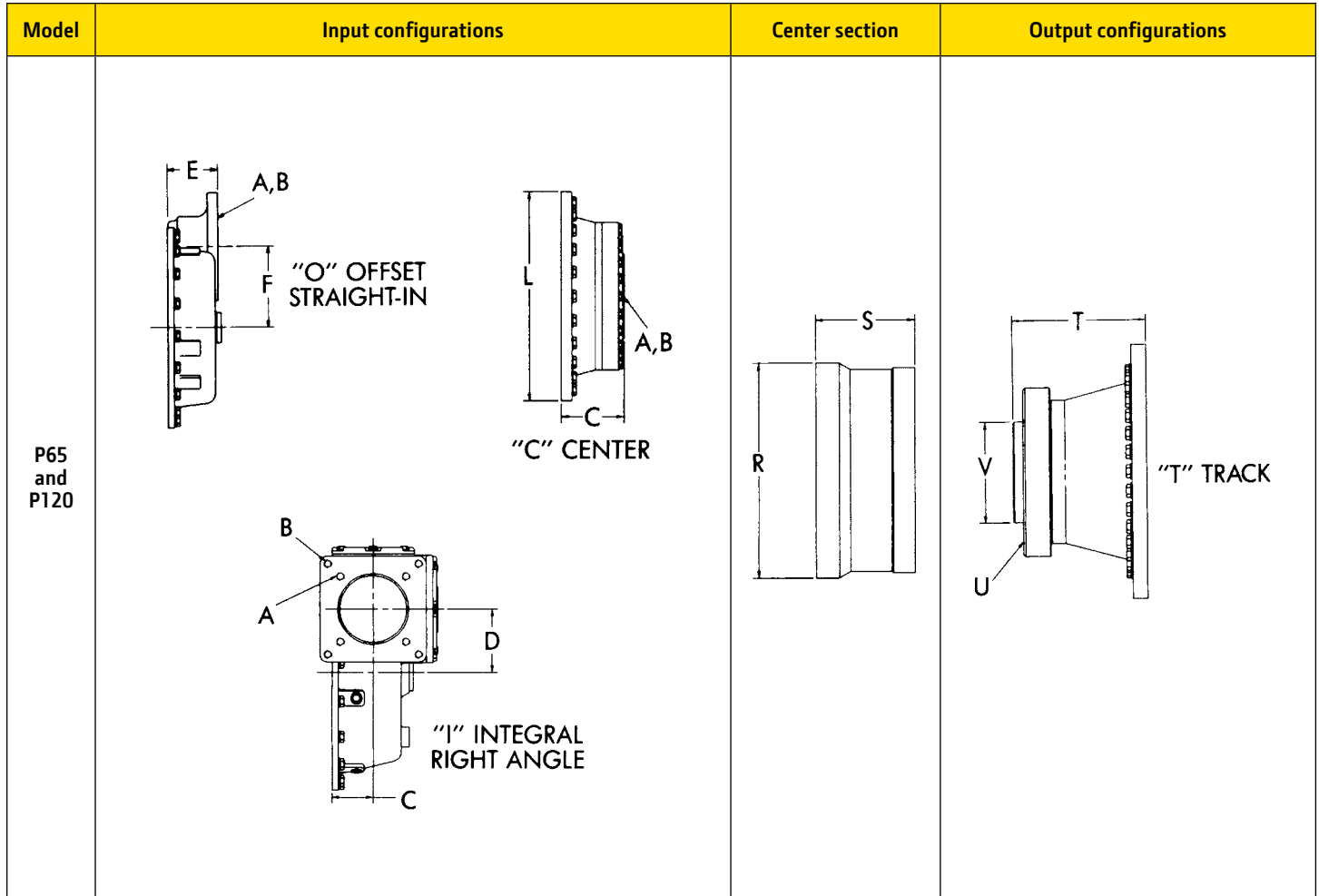
Recommended lubricant — EP gear oil meeting

MIL-L-2105C or API classification GL5

* NOTE: Optional input pads may alter dimensions shown.
Two-bolt SAE mounting pads available on some styles.

H	I	J	K	L	M	N	O	P	Q	V
152 (6.0)	151 (5.94)	12.7 (0.5)	356 (14.0)	356 (14.0)	81 (3.18)	191 (7.5)	182 (7.18)	—	—	—
191 (7.5)	154 (6.06)	45 (1.77)	479 (18.88)	502 (19.75)	102 (4.0)	254 (10.0)	229 (9.0)	260 (10.25)	562 (22.12)	101.55/101.52 (3.998/3.997)

P series input-output options



Model	Outputs	Inputs	Dimensions										
			A	B	C	D	E	F	R	S	T	U	V
P65	T	I, O	SAE "D" 3/4 - 10 UNC 4 PLCS. ON 228.6 (9.00) B.C.D.	SAE "E" 3/4 - 10 UNC 4 PLCS. ON 317.5 (12.50) B.C.D.	108 (4.25)	142 (5.59)	124 (4.88)	142 (5.59)	533.4 (21.00)	244.6 (9.63)	333.5 (13.13)	1 1/4 - 7 UNC 18 PLCS. ON 350 (13.779) B.C.D.	250 (9.85)
P120	T	I, O, C	SAE "D" 3/4 - 10 UNC 4 PLCS. ON 228.6 (9.00) B.C.D.	SAE "E" 3/4 - 10 UNC 4 PLCS. ON 317.5 (12.50) B.C.D.	102 (4.00)	"I" 156.5 (6.16) "K" 184.2 (7.25)	232 (9.13)	251.84 (9.91)	596.4 (23.48)	279.4 (11.00)	424 (16.7)	7/8 - 9 UNC 32 PLCS. ON 495 (19.50) B.C.D.	431.8 (17.00)

Product information

P65 model

Hydraulic motor mounting — SAE “D” or “E” 4-bolt

Input spline — 13T 8/16 30° P.A.

“S” output spline — 56T 8/16 30° P.A.

P120 model

Hydraulic motor mounting — SAE “D” or “E” 4-bolt

Input spline — 13T 8/16 30° P.A.

“S” output spline — 60T 8/16 30° P.A.

All P series models

Rotation

Output rotation — same as input on “I” input configurations

Output rotation — opposite input on “O” input configurations

Gear ratios

Consult your nearest John Deere Power Systems distributor for available ratios.

Lubrication

Splash lubrication

Recommended lubricant — EP gear oil

meeting MIL-L-2105C or API classification GL5

Worldwide locations

North America

John Deere Power Systems
3801 West Ridgeway Avenue
P.O. Box 5100
Waterloo, IA 50704-5100
Phone: +1 800 533 6446 (U.S.)
Phone: +1 319 292 6060 (Canada)
Fax: +1 319 292 5075
E-mail: jdpower@JohnDeere.com

John Deere Power Systems

Doornelei, 24
2018 Antwerpen
Belgium
Phone: + 32 3 238 89 69
Fax: + 32 3 248 54 98





This literature has been compiled for worldwide circulation. While general information, pictures and descriptions are provided, some illustrations and text may include finance, credit, insurance, product options and accessories NOT AVAILABLE in all regions. PLEASE CONTACT YOUR LOCAL DEALER FOR DETAILS. John Deere reserves the right to change specification and design of all products described in this literature without notice.