

NOTE
DIMENSIONS IN [] ARE
INCH EQUIVALENTS.

9-11 KW
LOMBARDINI MARINE

REV	DATE	ON COMPOSITE DWGS. SEE PART NO. FOR REVISION LEVEL	BY
-	9-27-10	NEW DRAWING [90488]	DDH
A	7-19-11	OIL FILTER, FUEL FILTER & COOLANT OVERFLOW BOTTLE RELOCATED & DIMENSIONS UPDATED; (C-3) 448 [17.65] DIM. ADDED [91292]	DDH

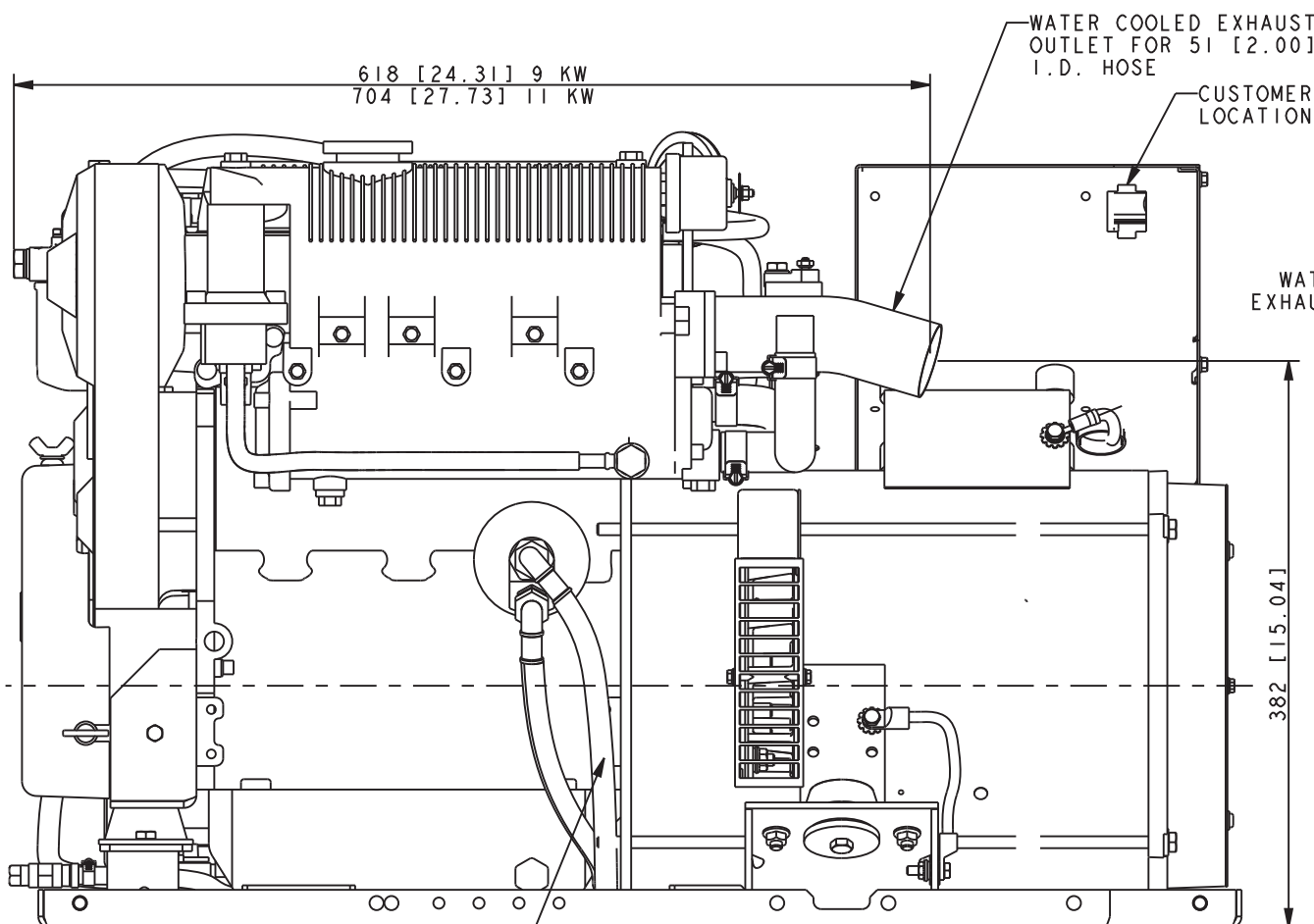
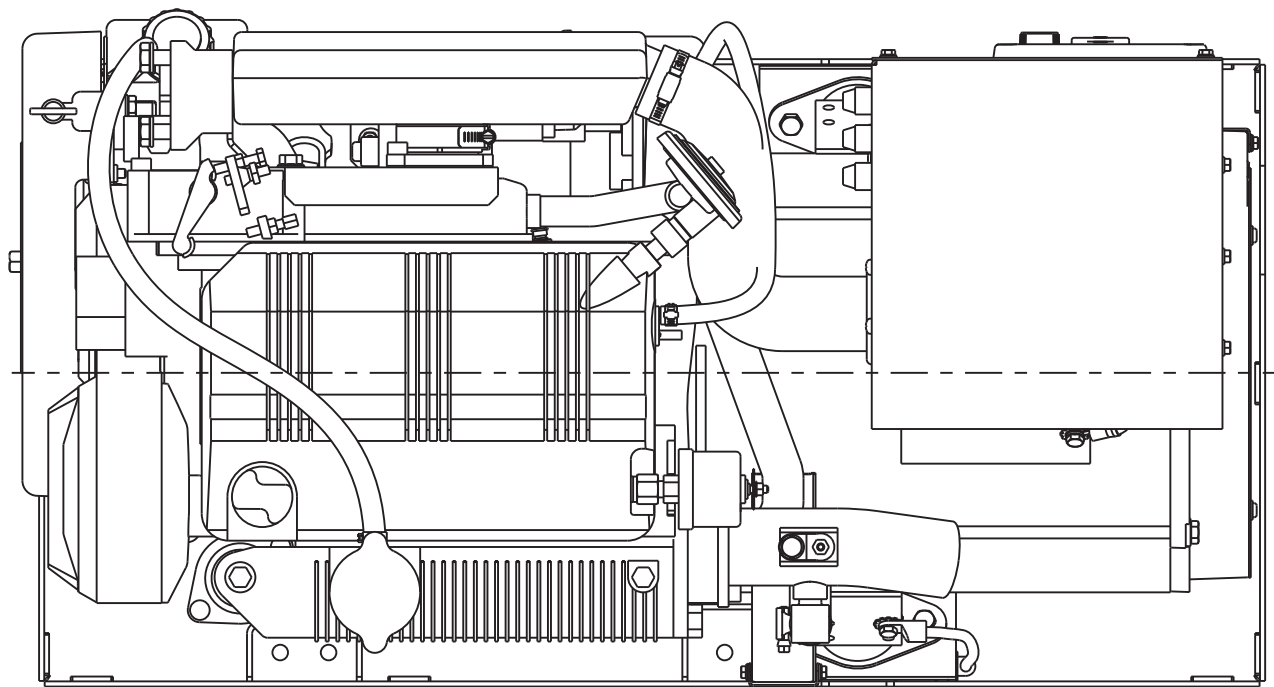
UNLESS OTHERWISE SPECIFIED -
1) DIMENSIONS ARE IN MILLIMETERS
2) TOLERANCES ARE:
X.XX ±
X.X ±
X ANGLES ±
SURFACE FINISH
MAX.
THIRD ANGLE PROJECTION

APPROVALS	DATE
DRAWN DDH	9-27-10
CHECKED DDH	9-27-10
APPROVED BMZ	9-27-10

KOHLER CO. METRIC PRO-E
POWER SYSTEMS, KOHLER, WI 53044 U.S.A.
THIS DRAWING IN DESIGN AND DETAIL IS KOHLER CO. PROPERTY AND MUST NOT BE USED EXCEPT IN CONNECTION WITH KOHLER CO. WORK. ALL RIGHTS OF DESIGN OR INVENTION ARE RESERVED.

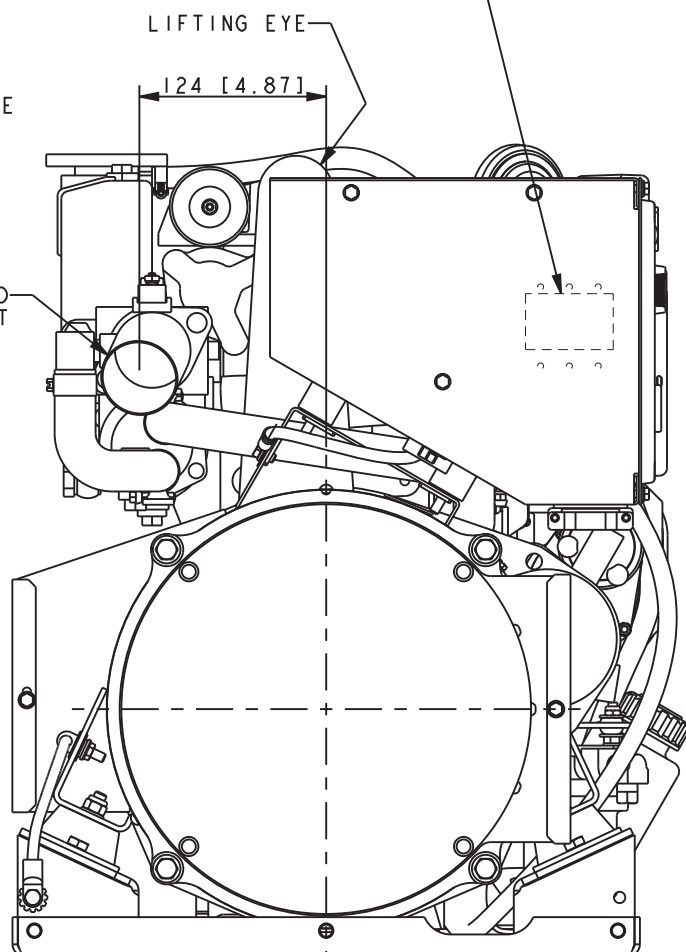
TITLE
DIMENSION PRINT, 9-11 KW LOMBARDINI MARINE

SCALE 0.40 CAD NO. SHEET 1 of 2
DWG NO. **ADV-7942**



M8x1.25 NEGATIVE (-) BATTERY CONNECTION

OPTIONAL CIRCUIT BREAKER LOCATION (OPPOSITE SIDE OF JUNCTION BOX)



REV	DATE	ON COMPOSITE DWGS. SEE PART NO. FOR REVISION LEVEL	BY
-	9-27-10	NEW DRAWING [90488]	DDH
A	7-19-11	OIL FILTER, FUEL FILTER & COOLANT OVERFLOW BOTTLE RELOCATED & DIMENSIONS UPDATED [91292]	DDH

UNLESS OTHERWISE SPECIFIED -
1) DIMENSIONS ARE IN MILLIMETERS
2) TOLERANCES ARE:
X.XX ±
X.X ±
X ±
ANGLES ±

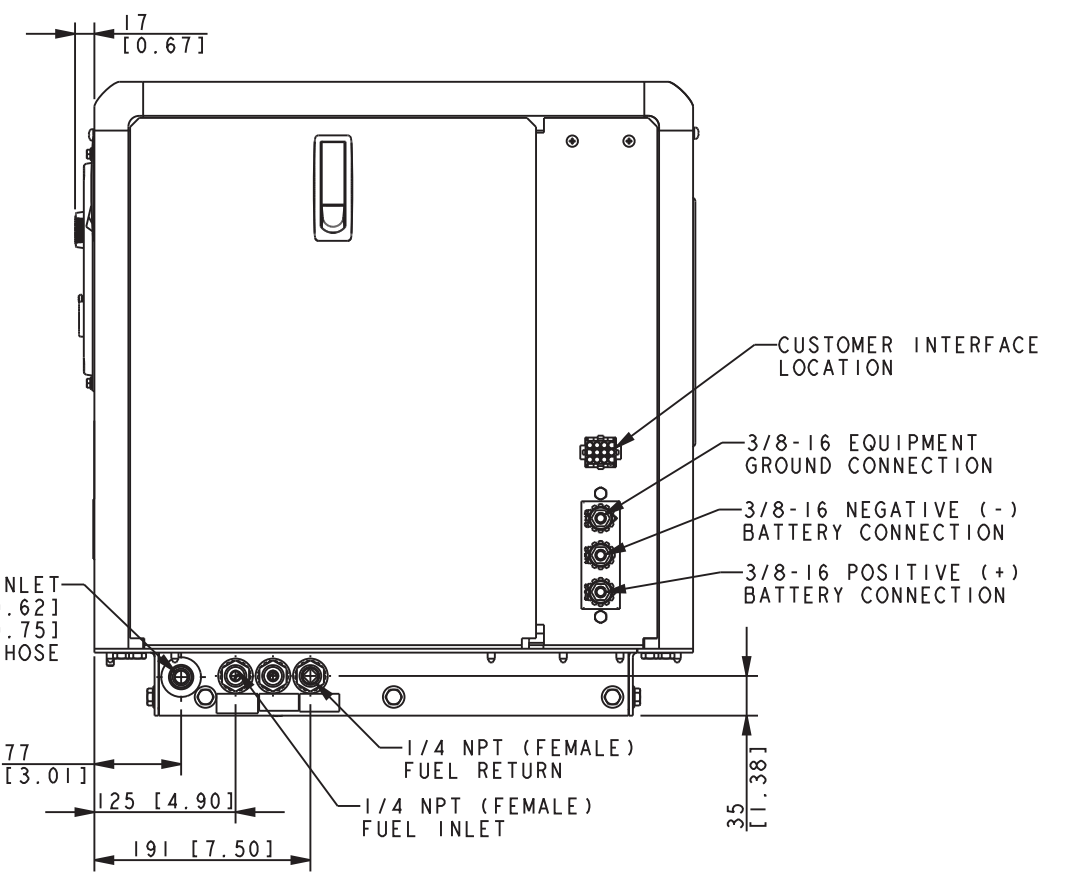
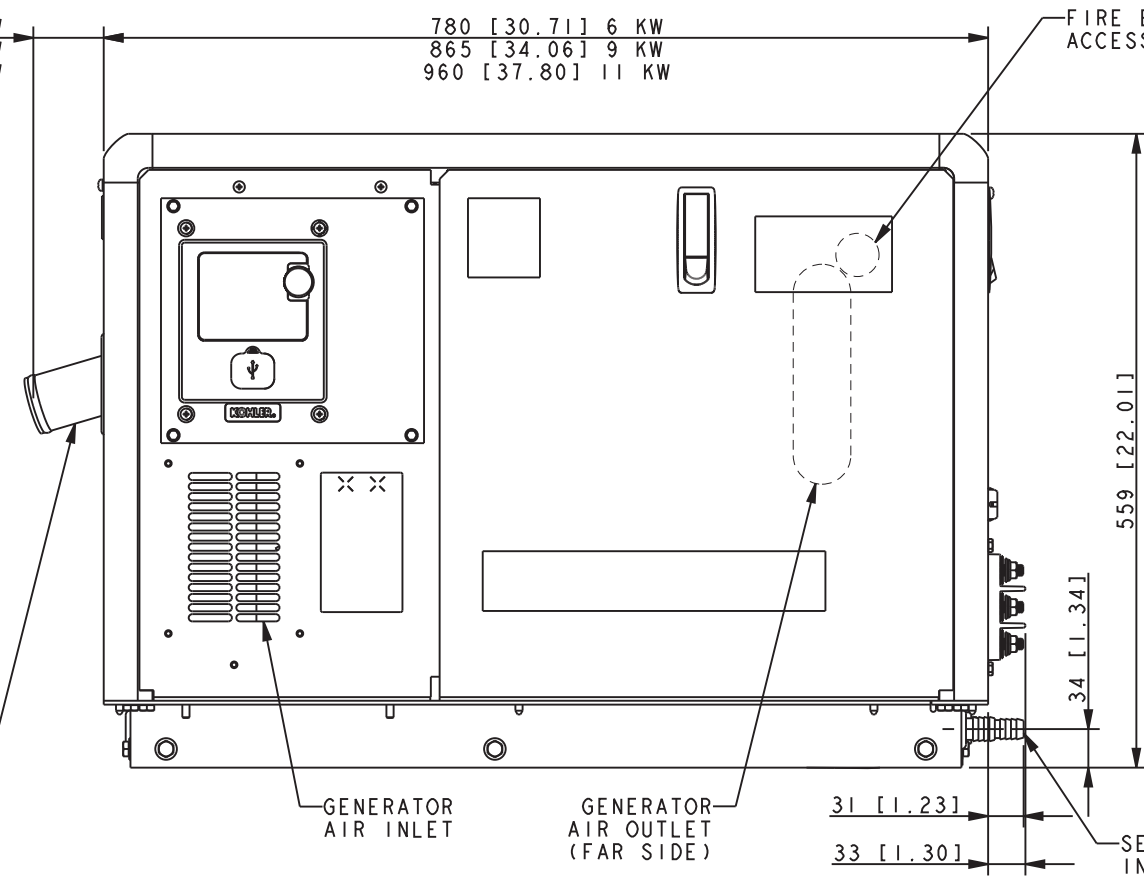
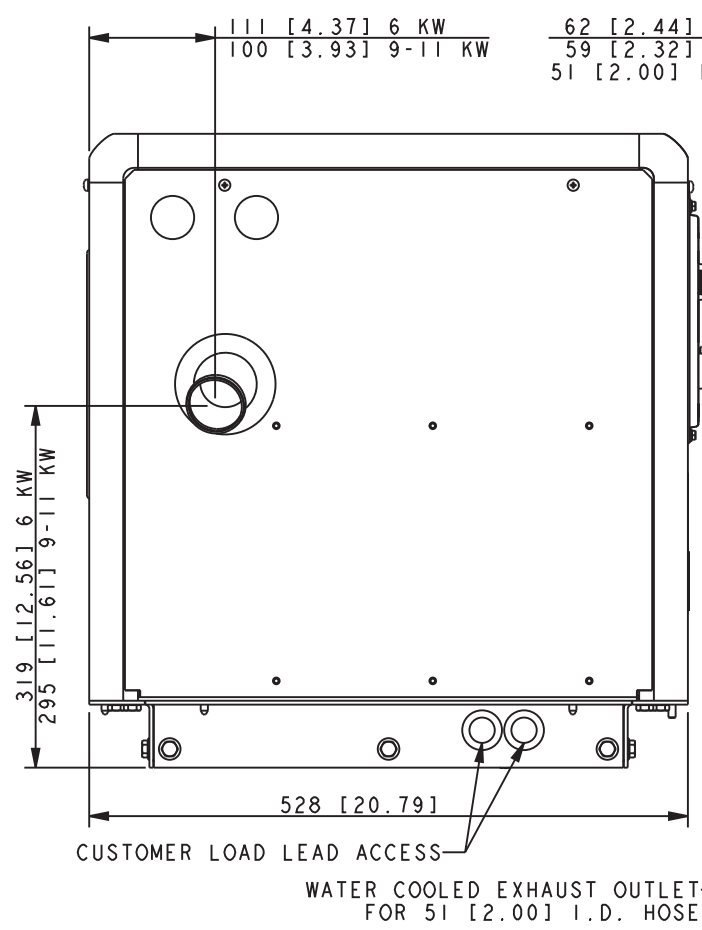
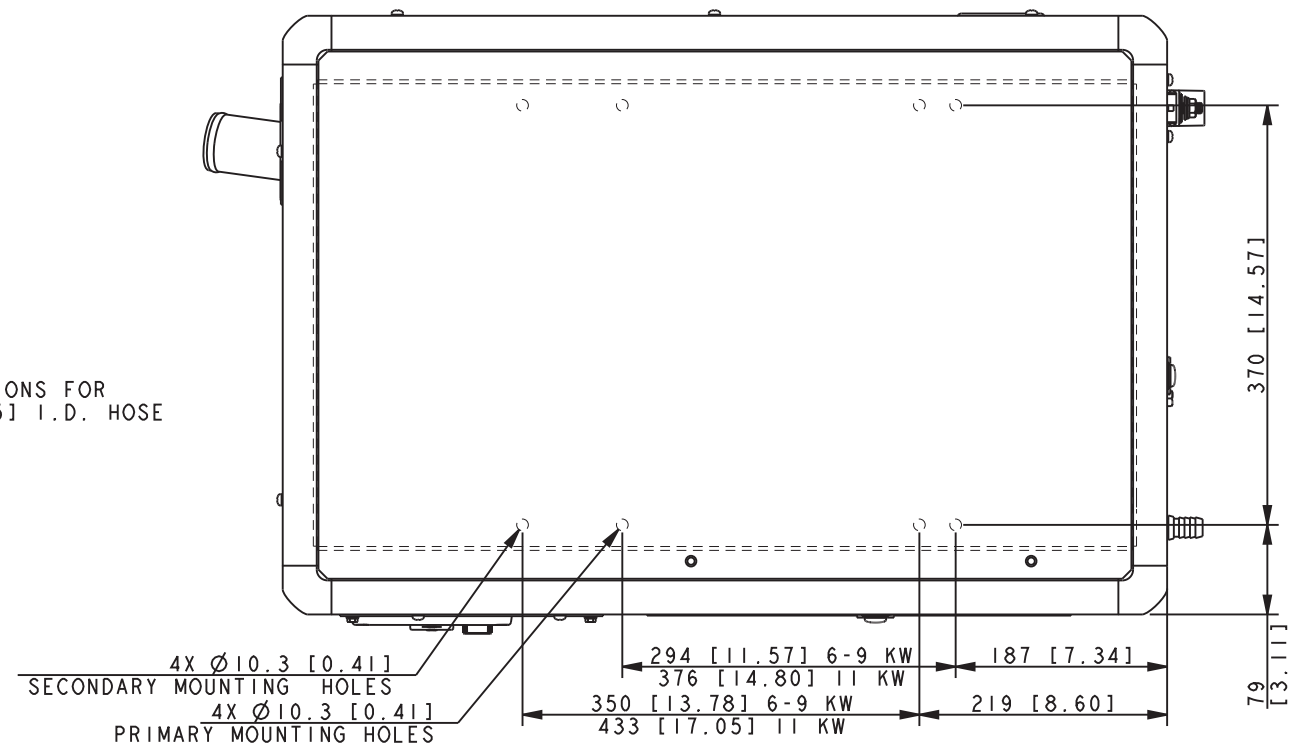
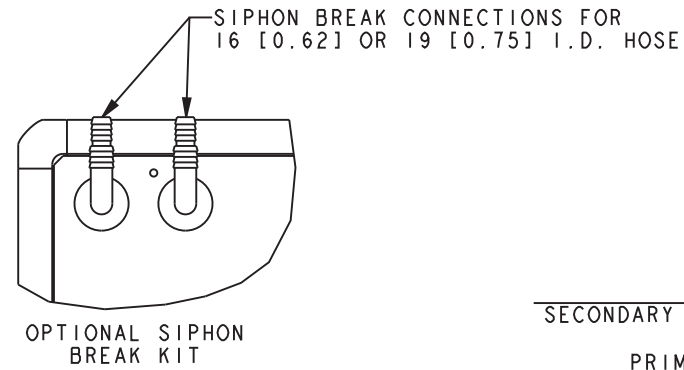
SURFACE FINISH
MAX.

THIRD ANGLE PROJECTION

KOHLER CO. METRIC PRO-E
POWER SYSTEMS, KOHLER, WI 53044 U.S.A.
THIS DRAWING IN DESIGN AND DETAIL IS KOHLER CO. PROPERTY AND MUST NOT BE USED EXCEPT IN CONNECTION WITH KOHLER CO. WORK. ALL RIGHTS OF DESIGN OR INVENTION ARE RESERVED.

TITLE
DIMENSION PRINT, 9-11 KW LOMBARDINI MARINE

SCALE 0.40 CAD NO. SHEET 2 of 2
DWG NO. **ADV-7942**



NOTE
DIMENSIONS IN [] ARE INCH EQUIVALENTS.

6-11 KW
LOMBARDINI MARINE
SOUND SHIELDS

REV	DATE	ON COMPOSITE DWGS. SEE PART NO. FOR REVISION LEVEL	BY	UNLESS OTHERWISE SPECIFIED - 1) DIMENSIONS ARE IN MILLIMETERS 2) TOLERANCES ARE:	TITLE
-	9-27-10	NEW DRAWING [90488]	DDH	X.XX ± X.X ± X ANGLES ±	KOHLER CO. METRIC PRO-E POWER SYSTEMS, KOHLER, WI 53044 U.S.A. THIS DRAWING IN DESIGN AND DETAIL IS KOHLER CO. PROPERTY AND MUST NOT BE USED EXCEPT IN CONNECTION WITH KOHLER CO. WORK. ALL RIGHTS OF DESIGN OR INVENTION ARE RESERVED.
A	7-20-11	(B-2) CUSTOMER INTERFACE VIEW UPDATED; (A-3) 16 [0.62] I.D. ADDED TO SEAWATER INLET; (A-4) 31 [1.23] WAS 7 [0.29] [91292]	DDH	THIRD ANGLE PROJECTION	6-11 KW LOMBARDINI MARINE SOUND SHIELDS
			APPROVALS	DATE	SCALE 0.30 CAD NO. SHEET 1 of 1
			DRAWN	DDH	9-27-10
			CHECKED	DDH	9-27-10
			APPROVED	BMZ	9-27-10
					ADV-7943