

NOTE
DIMENSIONS IN [] ARE
INCH EQUIVALENTS.

6 KW
LOMBARDINI MARINE

REV	DATE	ON COMPOSITE DWGS. SEE PART NO. FOR REVISION LEVEL	BY
-	9-24-10	NEW DRAWING [90488]	DDH
A	7-19-11	OIL FILTER, FUEL FILTER & COOLANT OVERFLOW BOTTLE RELOCATED & DIMENSIONS UPDATED; (C-3) 448 [17.65] DIM. ADDED [91292]	DDH

UNLESS OTHERWISE SPECIFIED -
1) DIMENSIONS ARE IN MILLIMETERS
2) TOLERANCES ARE:
X.XX ±
X.X ±
X ±
ANGLES ±
SURFACE FINISH
MAX.
THIRD ANGLE PROJECTION

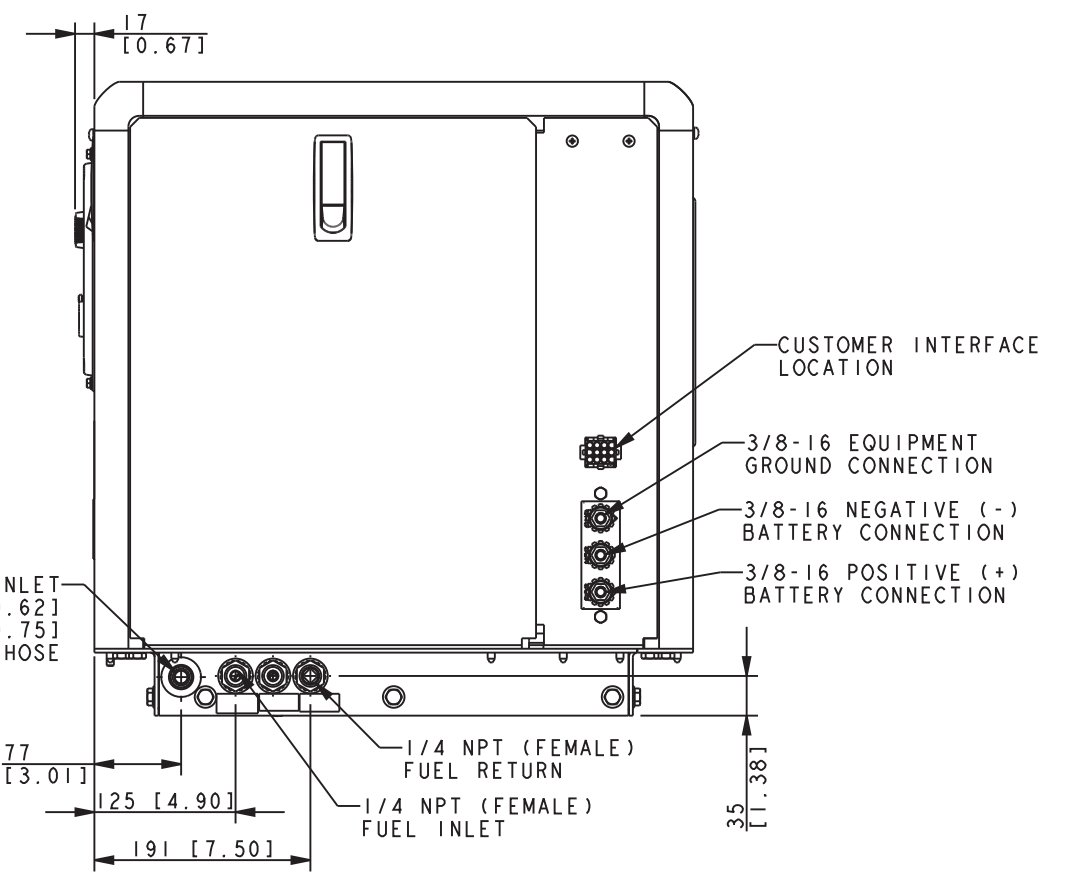
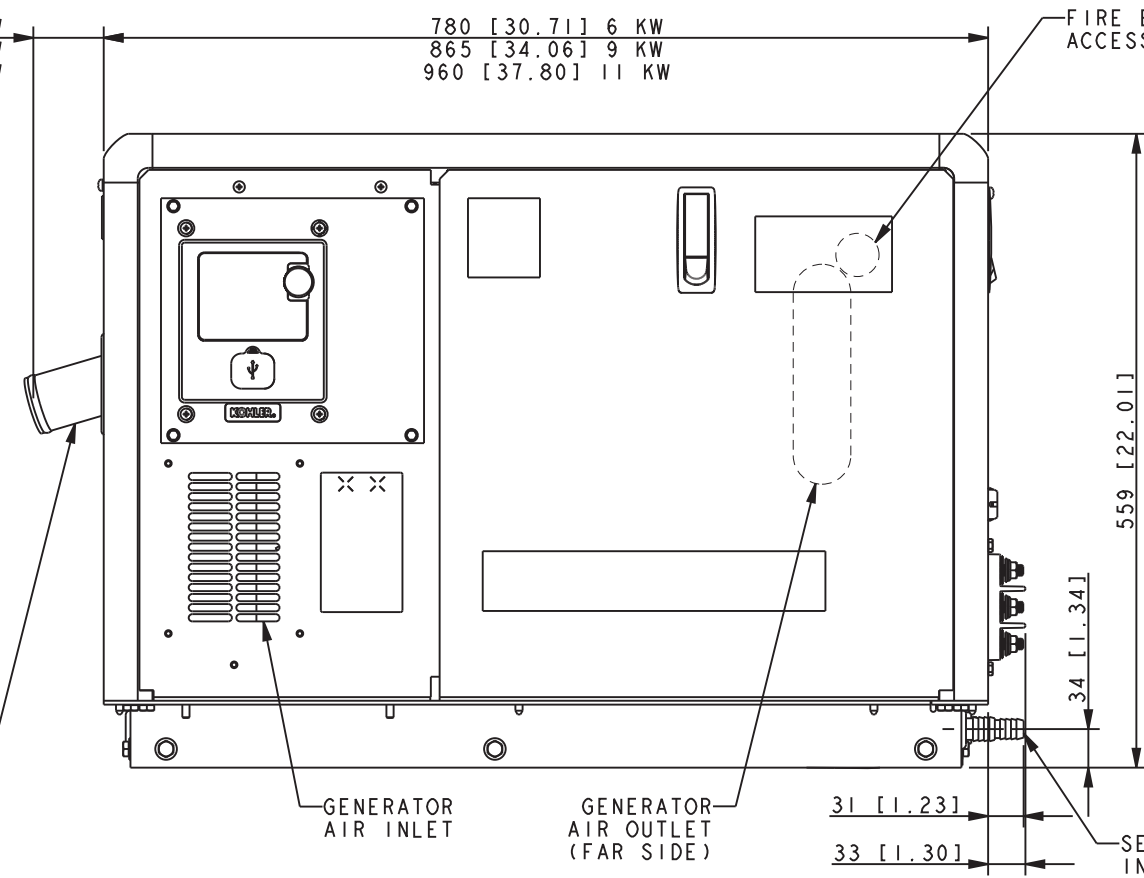
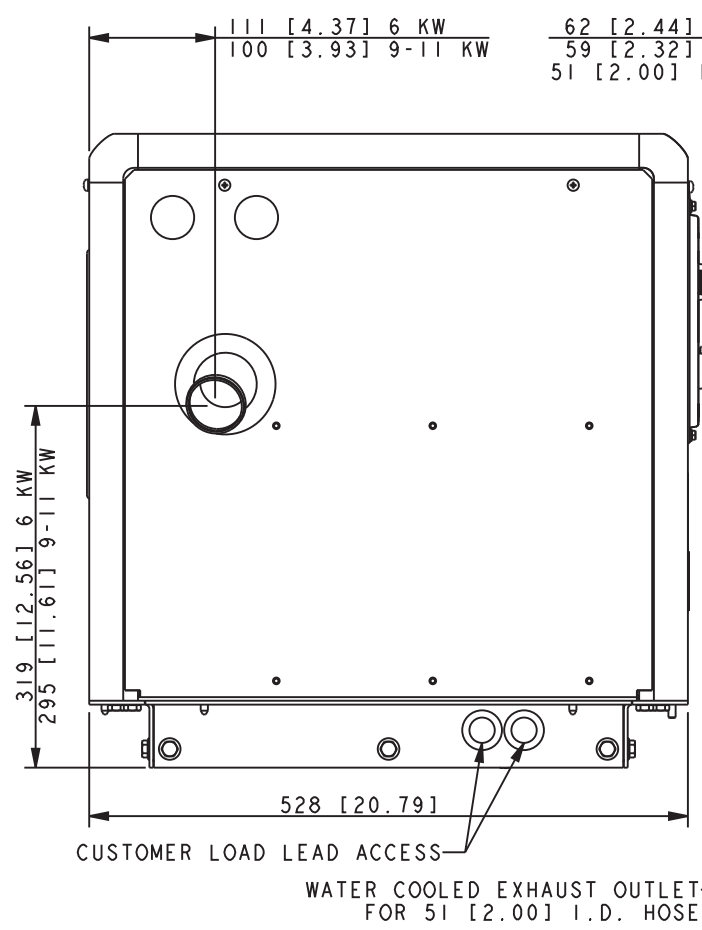
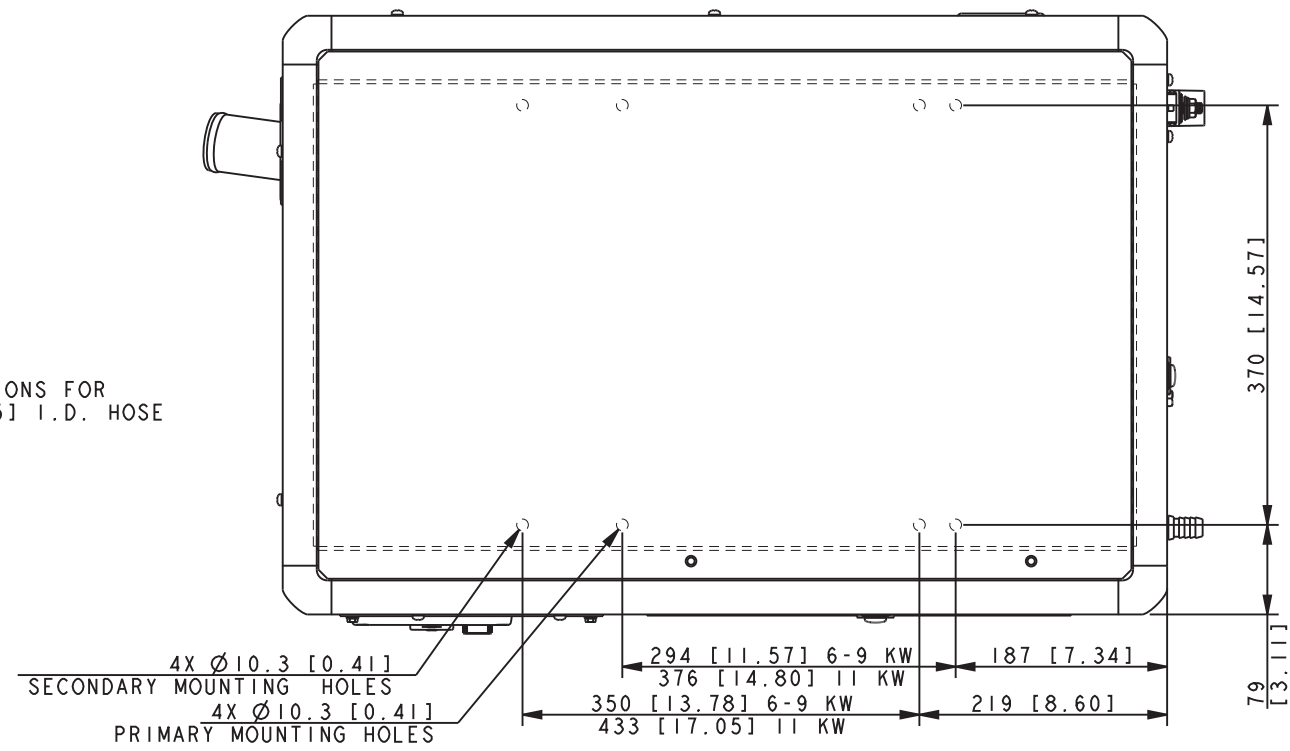
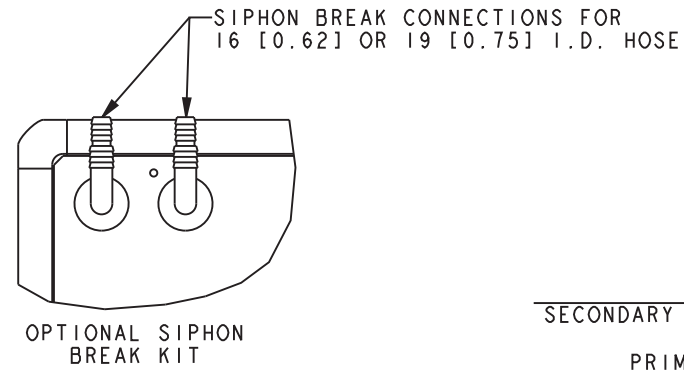
APPROVALS	DATE
DDH	9-24-10
DDH	9-24-10
BMZ	9-24-10

KOHLER CO. METRIC PRO-E

POWER SYSTEMS, KOHLER, WI 53044 U.S.A.
THIS DRAWING IN DESIGN AND DETAIL IS KOHLER CO. PROPERTY AND MUST NOT BE USED EXCEPT IN CONNECTION WITH KOHLER CO. WORK. ALL RIGHTS OF DESIGN OR INVENTION ARE RESERVED.

TITLE
DIMENSION PRINT, 6 KW LOMBARDINI MARINE

SCALE 0.40 CAD NO. SHEET 1 of 2
DWG NO. **ADV-7941**



NOTE
DIMENSIONS IN [] ARE INCH EQUIVALENTS.

6-11 KW
LOMBARDINI MARINE
SOUND SHIELDS

REV	DATE	ON COMPOSITE DWGS. SEE PART NO. FOR REVISION LEVEL	BY	UNLESS OTHERWISE SPECIFIED - 1) DIMENSIONS ARE IN MILLIMETERS 2) TOLERANCES ARE:	TITLE
-	9-27-10	NEW DRAWING [90488]	DDH	X.XX ± X.X ± X ° ±	KOHLER CO. METRIC PRO-E
A	7-20-11	(B-2) CUSTOMER INTERFACE VIEW UPDATED; (A-3) 16 [0.62] I.D. ADDED TO SEAWATER INLET; (A-4) 31 [1.23] WAS 7 [0.29] [91292]	DDH	MAX.	POWER SYSTEMS, KOHLER, WI 53044 U.S.A. THIS DRAWING IN DESIGN AND DETAIL IS KOHLER CO. PROPERTY AND MUST NOT BE USED EXCEPT IN CONNECTION WITH KOHLER CO. WORK. ALL RIGHTS OF DESIGN OR INVENTION ARE RESERVED.
				THIRD ANGLE PROJECTION	6-11 KW LOMBARDINI MARINE SOUND SHIELDS
APPROVALS		DATE	SCALE 0.30 CAD NO. SHEET 1 of 1		
DRAWN		9-27-10	DWG NO. ADV-7943		
CHECKED		9-27-10	D		
APPROVED		9-27-10			