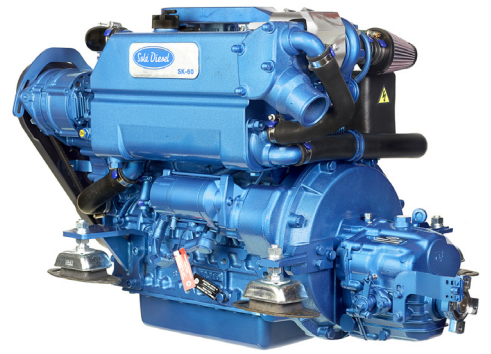




SK-60

Inboard Engine Base Kubota

4 cylinders in line 59,8 HP (44 kW) 2700 rpm

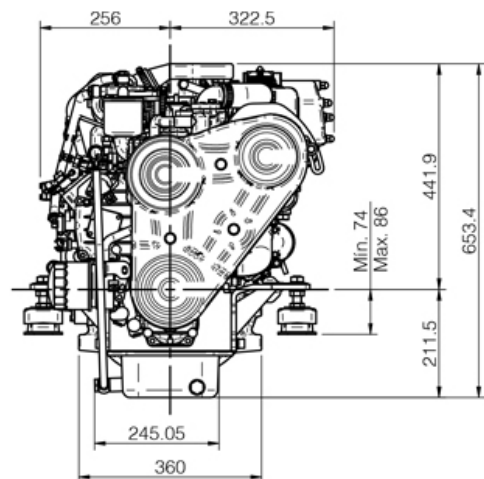
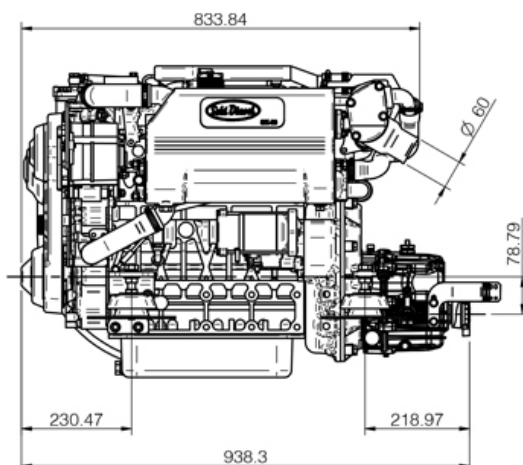


Technical Specifications

Base	Kubota
Type	Diesel 4 Stroke Cycle
Number of Cylinders	4 in line
Intake System	Turbocharger
Bore x Stroke	87 mm x 102 mm (3,43 in x 4,02 in)
Total Displacement	2434 cc
Compression Ratio	22.5:1
Intermittent Power (ISO3046/1)	59,8 HP (44 kW)
Continuous Power	53,9 HP (39,6 kW)
Rated RPM	2700
Combustion System	Indirect mechanical injection
Starter Motor	12 V (2 kW)
Alternator	120 A 12 V
Engine Max Installation Angle	Max static angle 17° (+ 3° in operation)
Direction of Rotation (Crankshaft)	Anti Clockwise
Cooling System	Sea water cooled heat exchanger
Dry Weight (bobtail)	217,4 Kg (479 Lbs)
Water Hose (Inside Diameter)	32 mm (1,26 in)
Fuel Feed Hose (Inside Diameter)	8 mm (0,31 in)
Fuel Return Hose (Inside Diameter)	6 mm (0,24 in)
Exhaust hose (inside Diameter)	60 mm (2,36 in)
Certifications	EU: RCD II (Directive 2013/53/EU)

Dimensions

SK-60 TMC-60

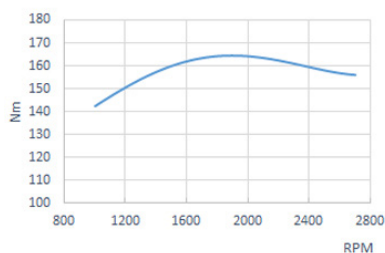


Dimensions in mm

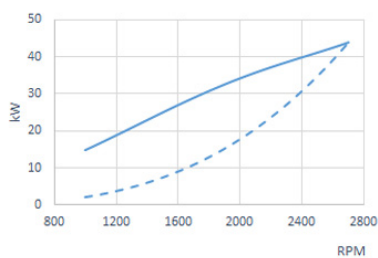


Performance Curves

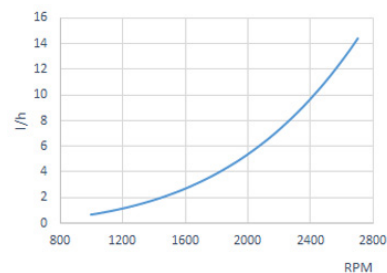
Crankshaft torque



Power (ISO 3046/1)



Fuel Consumption



Engine Power

Propeller Power

Panels

SVT 20 Standard



Tachometer including hour meter

Coolant Temperature Gauge

Pre-heating Pilot Light

Low Battery Alarm

High Temperature Alarm

Low Oil Pressure Alarm

5 Positions Key

Dimensions: 205 x 155 mm



SVT 30 Optional

Tachometer including hour meter

Coolant Temperature Gauge

Pre-heating Pilot Light

Low Battery Alarm

High Temperature Alarm

Low Oil Pressure Alarm

5 Positions Key

Oil Pressure Gauge

Voltmeter

Dimensions: 255 x 160 mm

Accessories

Scope of Supply

Packaging

Instrument Panel SVT 20

Extension Harness 3 m

Silentblocks

Sump Drain pump

Owner's Manual

Optional Equipment & Kits

We have a wide range of available accessories and kits.

Our technical department will calculate the propeller to optimize your engine

For additional information access our website

Gearbox

Model	Type	Down Angle	Reduction Ratio (Light Duty)	Reduction Ratio (Cont. Duty)	Engine Weight with Gearbox
SP60	Sail Drive	0°	2.15:1	-	269 Kg (593 Lbs)
TM-345	Hydraulic	0°	2.00:1 - 1.54:1 - 2.47:1	-	250 Kg (551 Lbs)
TM-345A	Hydraulic	8°	2.47:1 - 2.00:1 - 1.54:1	2.00:1 - 1.54:1	250 Kg (551 Lbs)
TM-93	Hydraulic	0°	2.09:1 - 1.51:1 - 2.77:1 - 2.40:1	2.09:1 - 1.51:1 - 2.77:1 - 2.40:1	284 Kg (626 Lbs)
TM-93A	Hydraulic	8°	2.40:1 - 2.09:1 - 1.51:1	2.40:1 - 2.09:1 - 1.51:1	284 Kg (626 Lbs)
TMC-260	Mechanical	0°	1.54:1 - 2.47:1 - 2.88:1 - 2.00:1	2.00:1	237 Kg (522 Lbs)
TMC-60P	Mechanical	0°	2.00:1	-	234 Kg (516 Lbs)
ZF 63 IV	V-Drive H.	12°	1.99:1	1.99:1	239 Kg (527 Lbs)

Distribuidor Authorized

Diesel Power AB

031-748 62 00 info@dpower.se www.dpower.se



solediesel.com - info@solediesel.com

Detailed drawings, brochures and manuals are available on the web. © 2017, Solé Diesel. All rights reserved. Technical specifications, data and presentation are subjected to variations, changes and updates without prior notice, and without any obligation or liability whatsoever. Text and illustrations are not binding.

