

NOTE  
DIMENSIONS IN [ ] ARE  
INCH EQUIVALENTS.

9-11 KW  
LOMBARDINI MARINE

REV	DATE	ON COMPOSITE DWGS. SEE PART NO. FOR REVISION LEVEL	BY
-	9-27-10	NEW DRAWING [90488]	DDH
A	7-19-11	OIL FILTER, FUEL FILTER & COOLANT OVERFLOW BOTTLE RELOCATED & DIMENSIONS UPDATED; (C-3) 448 [17.65] DIM. ADDED [91292]	DDH

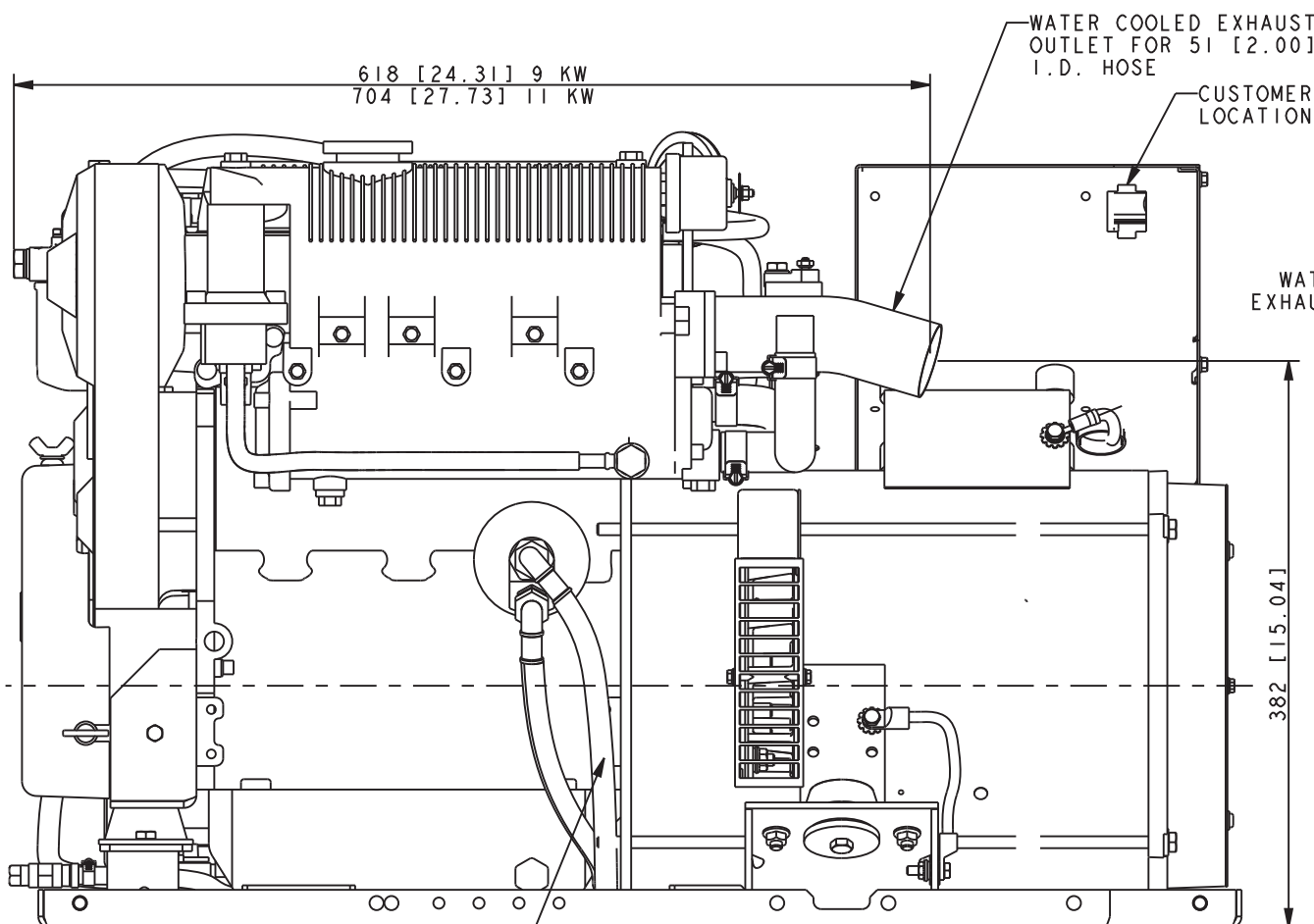
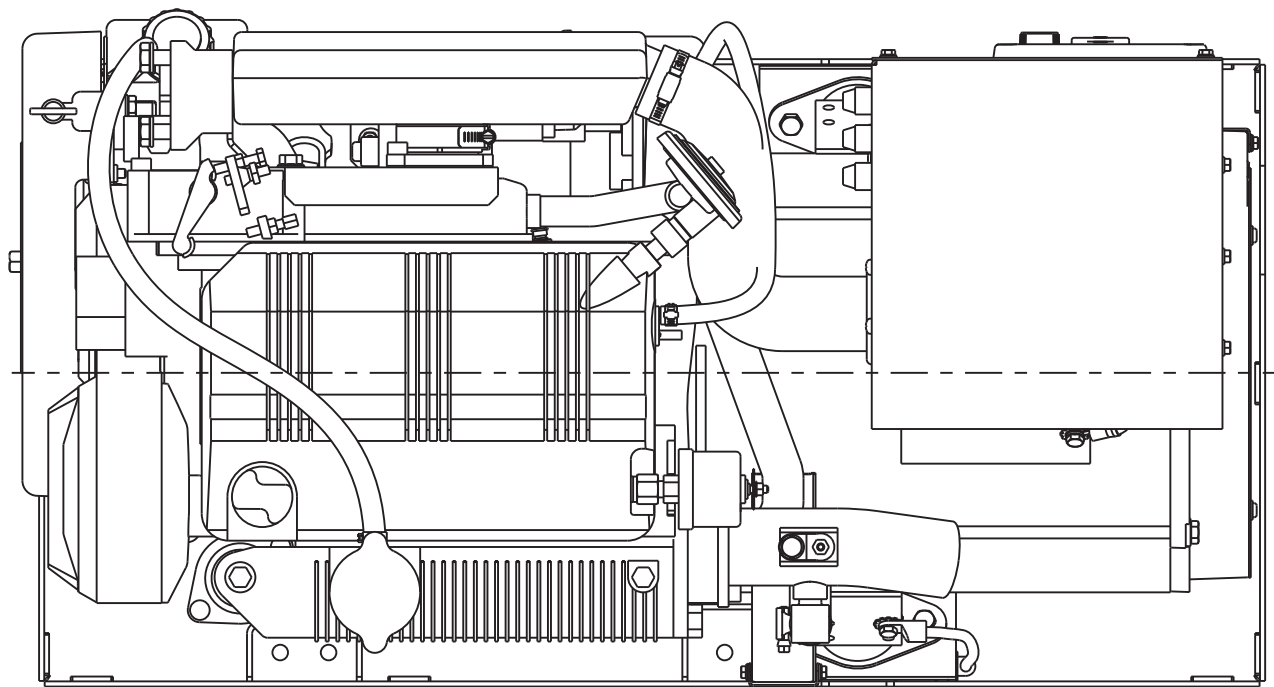
UNLESS OTHERWISE SPECIFIED -  
1) DIMENSIONS ARE IN MILLIMETERS  
2) TOLERANCES ARE:  
X.XX ±  
X.X ±  
X ANGLES ±  
SURFACE FINISH  
MAX.  
THIRD ANGLE PROJECTION

APPROVALS	DATE
DDH	9-27-10
DDH	9-27-10
BMZ	9-27-10

**KOHLER CO. METRIC PRO-E**  
POWER SYSTEMS, KOHLER, WI 53044 U.S.A.  
THIS DRAWING IN DESIGN AND DETAIL IS KOHLER CO. PROPERTY AND MUST NOT BE USED EXCEPT IN CONNECTION WITH KOHLER CO. WORK. ALL RIGHTS OF DESIGN OR INVENTION ARE RESERVED.

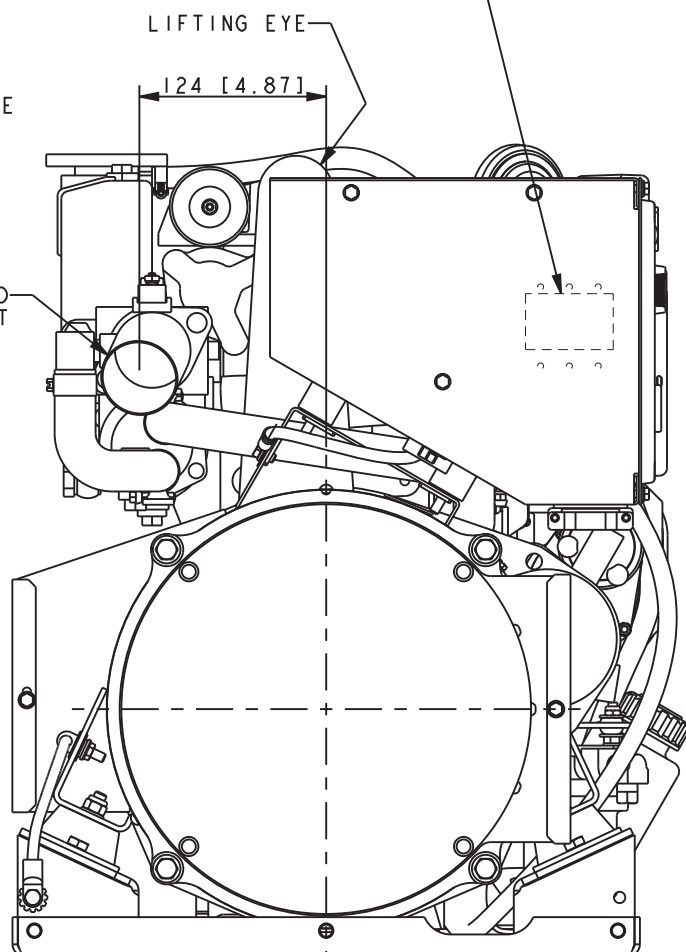
TITLE  
**DIMENSION PRINT, 9-11 KW LOMBARDINI MARINE**

SCALE 0.40 CAD NO. SHEET 1 of 2  
DWG NO. **ADV-7942**



M8x1.25 NEGATIVE (-)  
BATTERY CONNECTION

OPTIONAL CIRCUIT BREAKER LOCATION  
(OPPOSITE SIDE OF JUNCTION BOX)



REV	DATE	ON COMPOSITE DWGS. SEE PART NO. FOR REVISION LEVEL	BY
-	9-27-10	NEW DRAWING [90488]	DDH
A	7-19-11	OIL FILTER, FUEL FILTER & COOLANT OVERFLOW BOTTLE RELOCATED & DIMENSIONS UPDATED [91292]	DDH

UNLESS OTHERWISE SPECIFIED -  
1) DIMENSIONS ARE IN MILLIMETERS  
2) TOLERANCES ARE:

X.XX ±  
X.X ±  
X ±  
ANGLES ±

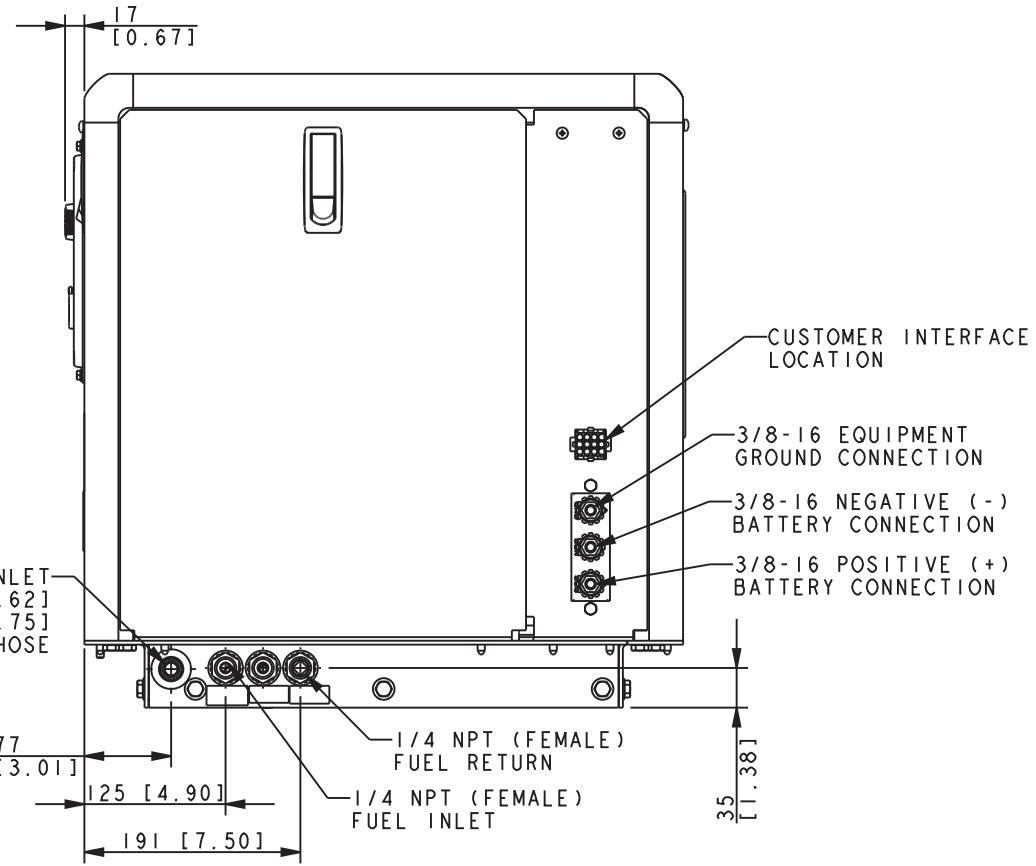
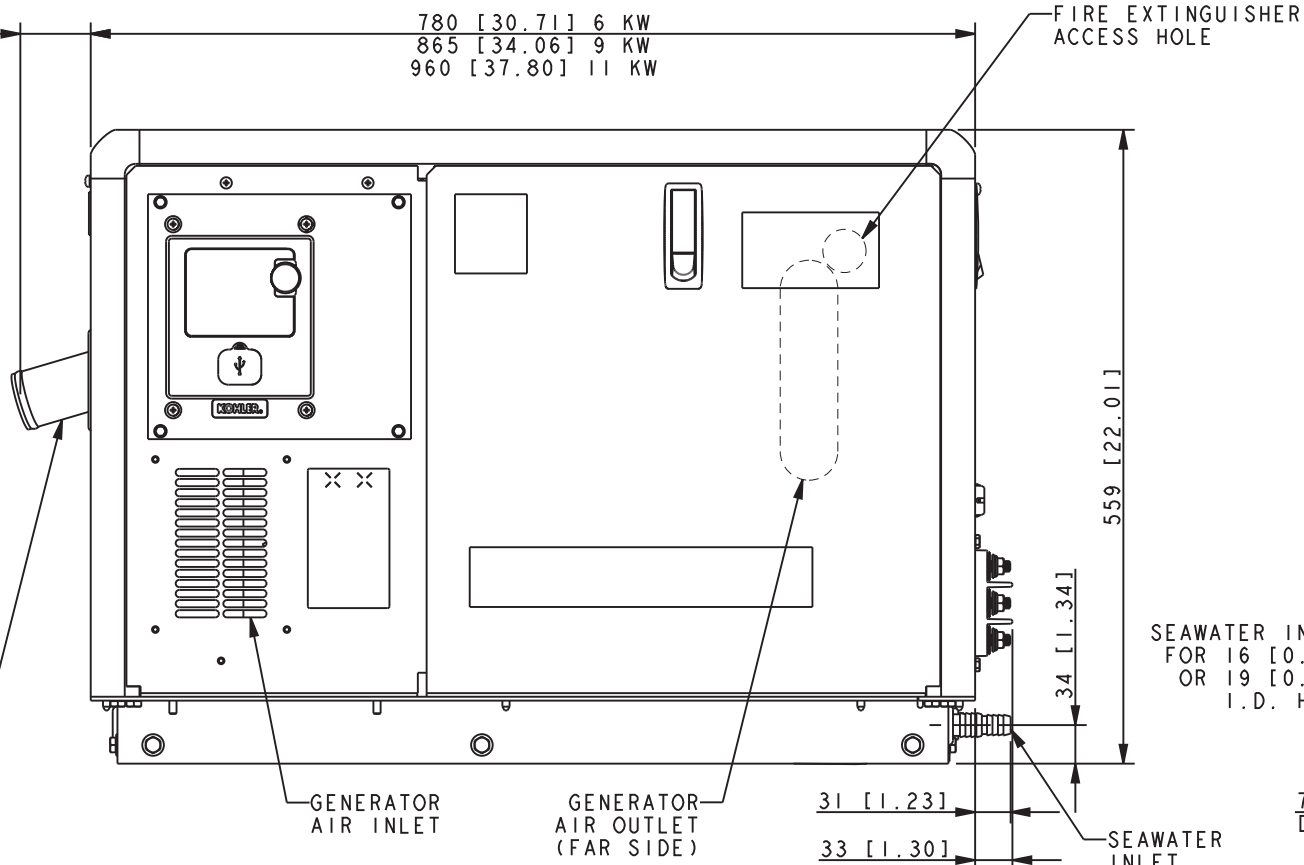
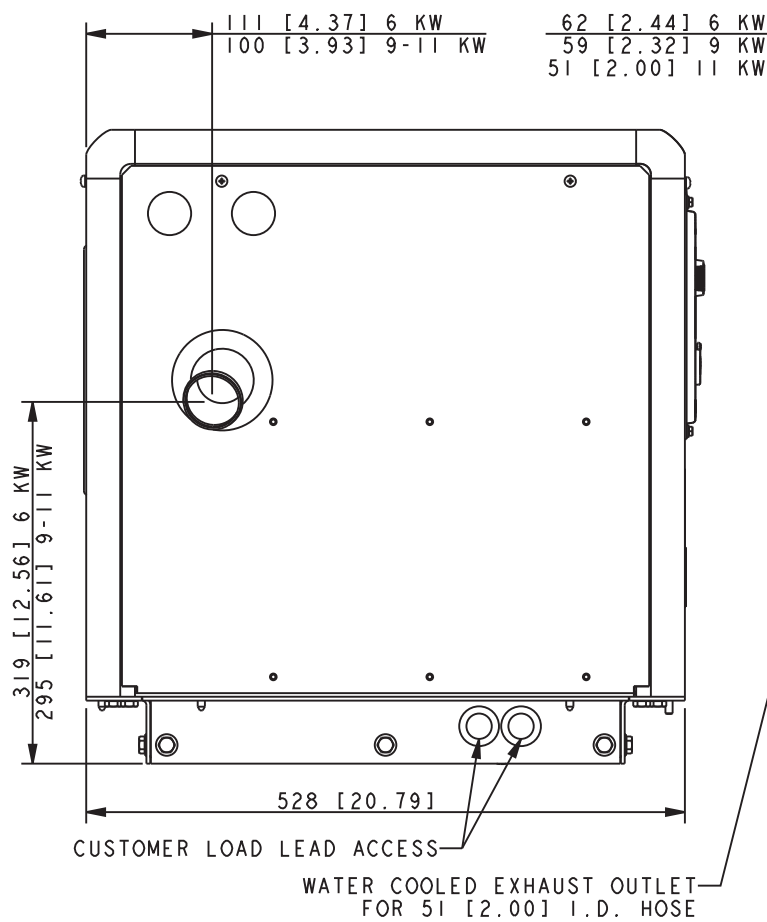
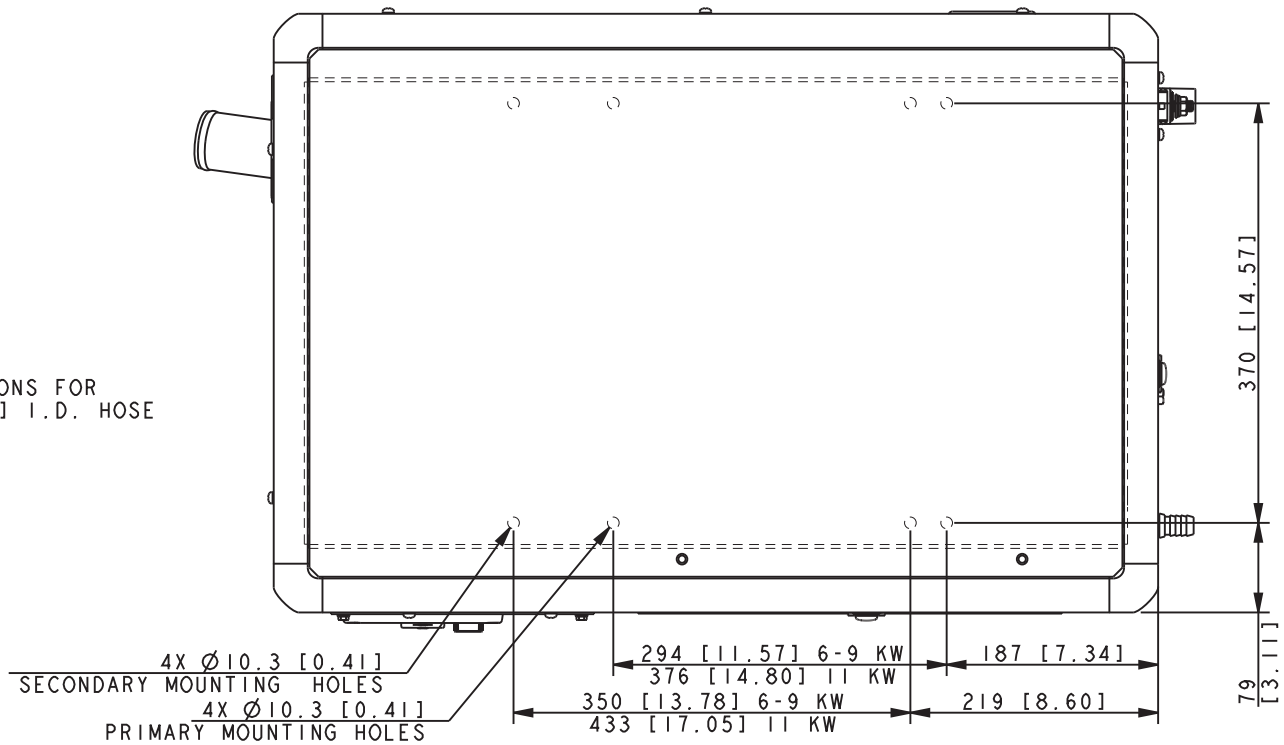
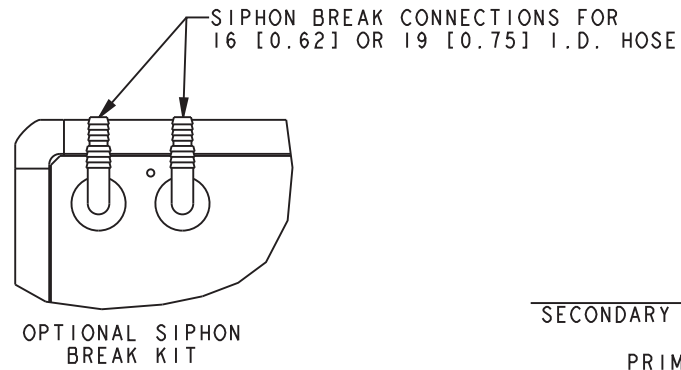
SURFACE FINISH  
MAX.

THIRD ANGLE  
PROJECTION

**KOHLER CO. METRIC PRO-E**  
POWER SYSTEMS, KOHLER, WI 53044 U.S.A.  
THIS DRAWING IN DESIGN AND DETAIL IS KOHLER CO.  
PROPERTY AND MUST NOT BE USED EXCEPT IN  
CONNECTION WITH KOHLER CO. WORK. ALL RIGHTS OF  
DESIGN OR INVENTION ARE RESERVED.

TITLE  
**DIMENSION PRINT, 9-11 KW LOMBARDINI MARINE**

SCALE 0.40 CAD NO. SHEET 2 of 2  
DWG NO. **ADV-7942**



NOTE  
DIMENSIONS IN [ ] ARE INCH EQUIVALENTS.

6-11 KW  
LOMBARDINI MARINE  
SOUND SHIELDS

REV	DATE	ON COMPOSITE DWGS. SEE PART NO. FOR REVISION LEVEL	BY	UNLESS OTHERWISE SPECIFIED - 1) DIMENSIONS ARE IN MILLIMETERS 2) TOLERANCES ARE:	TITLE
-	9-27-10	NEW DRAWING [90488]	DDH	X.XX ± X.X ± X ±	<b>KOHLER CO. METRIC PRO-E</b>
A	7-20-11	(B-2) CUSTOMER INTERFACE VIEW UPDATED; (A-3) 16 [0.62] I.D. ADDED TO SEAWATER INLET; (A-4) 31 [1.23] WAS 7 [0.29] [91292]	DDH	MAX.	POWER SYSTEMS, KOHLER, WI 53044 U.S.A. THIS DRAWING IN DESIGN AND DETAIL IS KOHLER CO. PROPERTY AND MUST NOT BE USED EXCEPT IN CONNECTION WITH KOHLER CO. WORK. ALL RIGHTS OF DESIGN OR INVENTION ARE RESERVED.
				THIRD ANGLE PROJECTION	<b>DIMENSION PRINT, LOMBARDINI SOUND SHIELD</b>
				APPROVALS	SCALE 0.30 CAD NO.
				DATE	SHEET 1 of 1
				DRAWN DDH 9-27-10	
				CHECKED DDH 9-27-10	
				APPROVED BMZ 9-27-10	<b>ADV-7943</b>