

NOTE
DIMENSIONS IN [] ARE
INCH EQUIVALENTS.

9-11 KW
LOMBARDINI MARINE

REV	DATE	ON COMPOSITE DWGS. SEE PART NO. FOR REVISION LEVEL	BY
-	9-27-10	NEW DRAWING [90488]	DDH
A	7-19-11	OIL FILTER, FUEL FILTER & COOLANT OVERFLOW BOTTLE RELOCATED & DIMENSIONS UPDATED; (C-3) 448 [17.65] DIM. ADDED [91292]	DDH

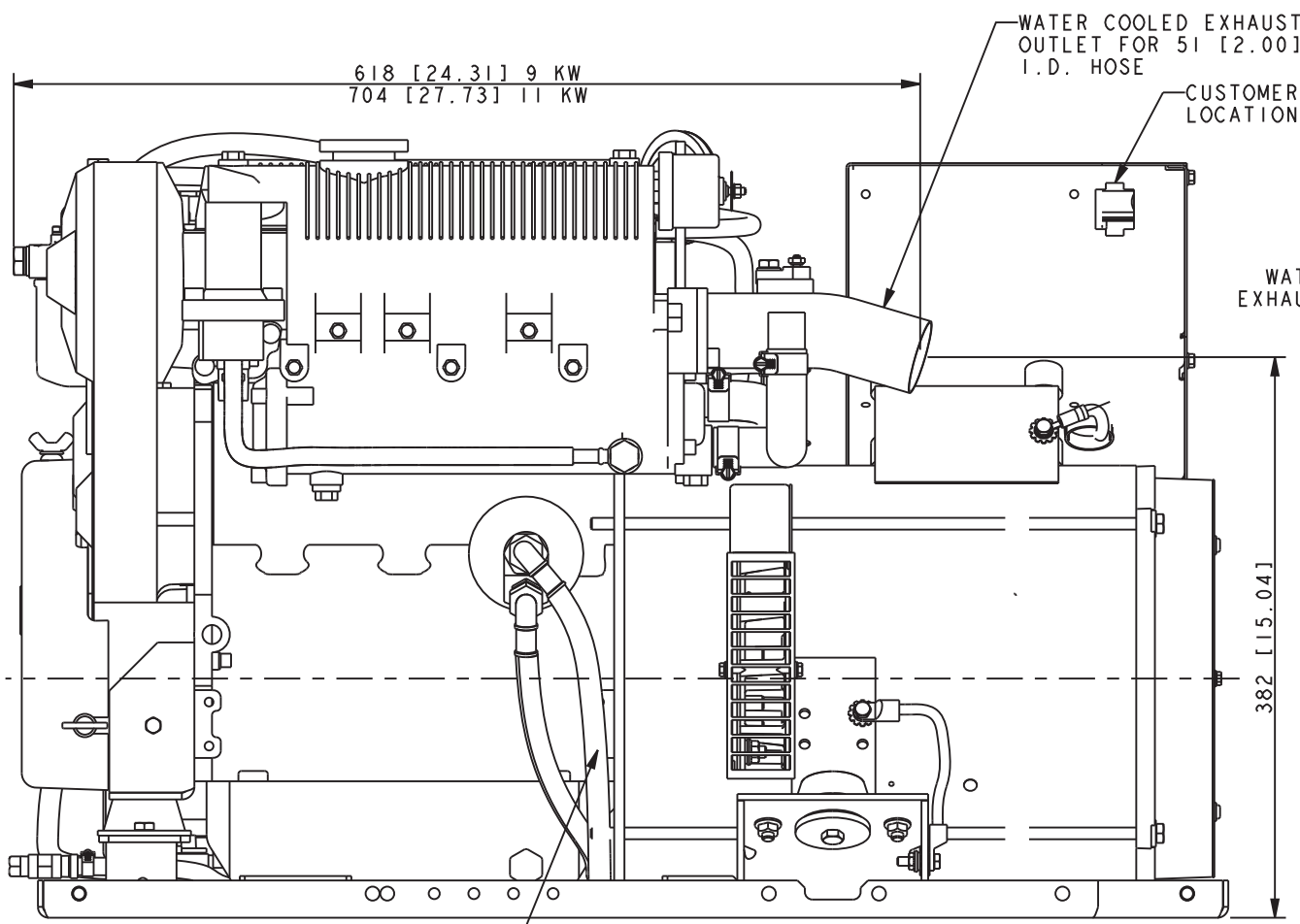
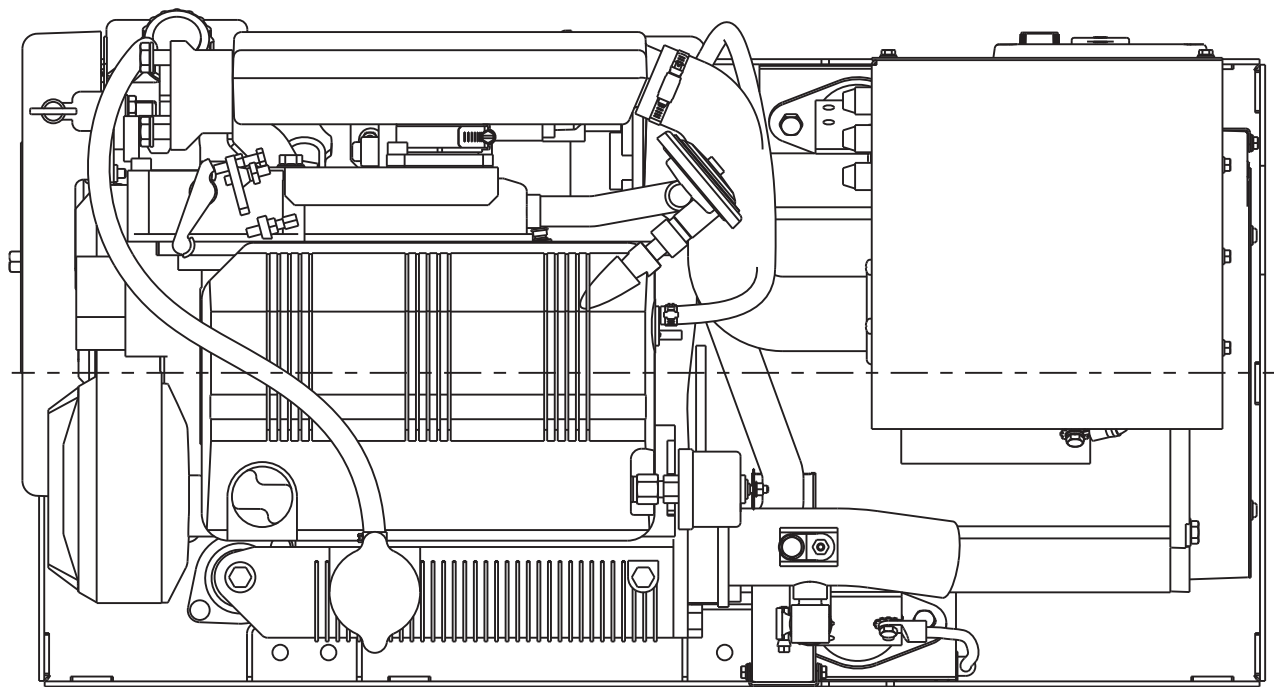
UNLESS OTHERWISE SPECIFIED -
1) DIMENSIONS ARE IN MILLIMETERS
2) TOLERANCES ARE:
X.XX ±
X.X ±
X ANGLES ±
SURFACE FINISH
MAX.
THIRD ANGLE PROJECTION

APPROVALS	DATE
DRAWN DDH	9-27-10
CHECKED DDH	9-27-10
APPROVED BMZ	9-27-10

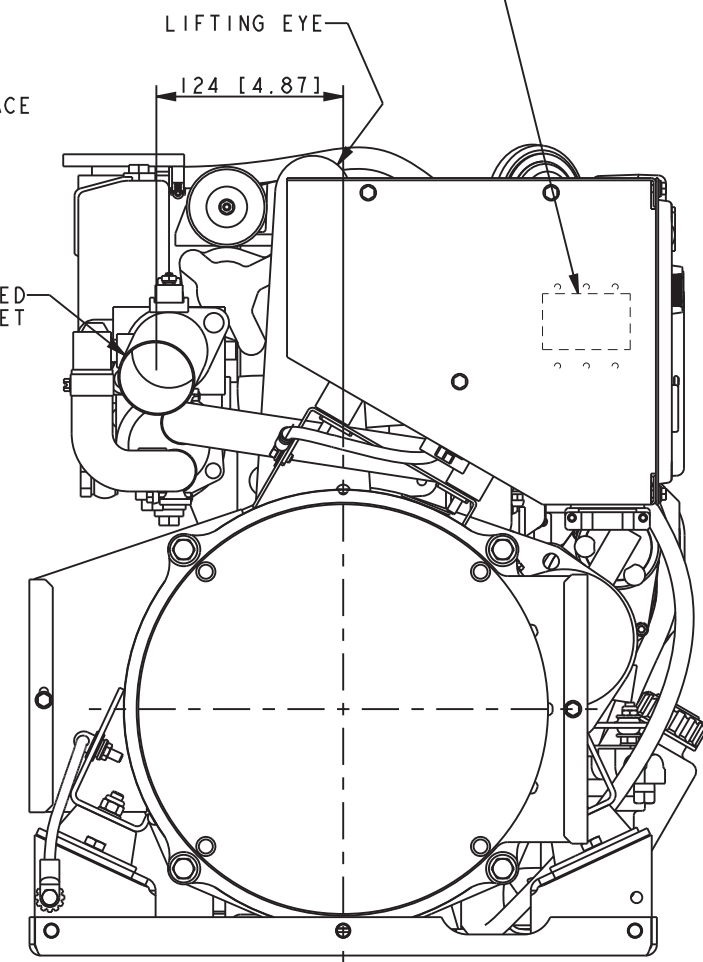
KOHLER CO. METRIC PRO-E
POWER SYSTEMS, KOHLER, WI 53044 U.S.A.
THIS DRAWING IN DESIGN AND DETAIL IS KOHLER CO. PROPERTY AND MUST NOT BE USED EXCEPT IN CONNECTION WITH KOHLER CO. WORK. ALL RIGHTS OF DESIGN OR INVENTION ARE RESERVED.

TITLE
DIMENSION PRINT, 9-11 KW LOMBARDINI MARINE

SCALE 0.40 CAD NO. SHEET 1 of 2
DWG NO. **ADV-7942**



OPTIONAL CIRCUIT BREAKER LOCATION
(OPPOSITE SIDE OF JUNCTION BOX)



M8x1.25 NEGATIVE (-)
BATTERY CONNECTION

REV	DATE	ON COMPOSITE DWGS. SEE PART NO. FOR REVISION LEVEL	BY
-	9-27-10	NEW DRAWING [90488]	DDH
A	7-19-11	OIL FILTER, FUEL FILTER & COOLANT OVERFLOW BOTTLE RELOCATED & DIMENSIONS UPDATED [91292]	DDH

UNLESS OTHERWISE SPECIFIED -
1) DIMENSIONS ARE IN MILLIMETERS
2) TOLERANCES ARE:

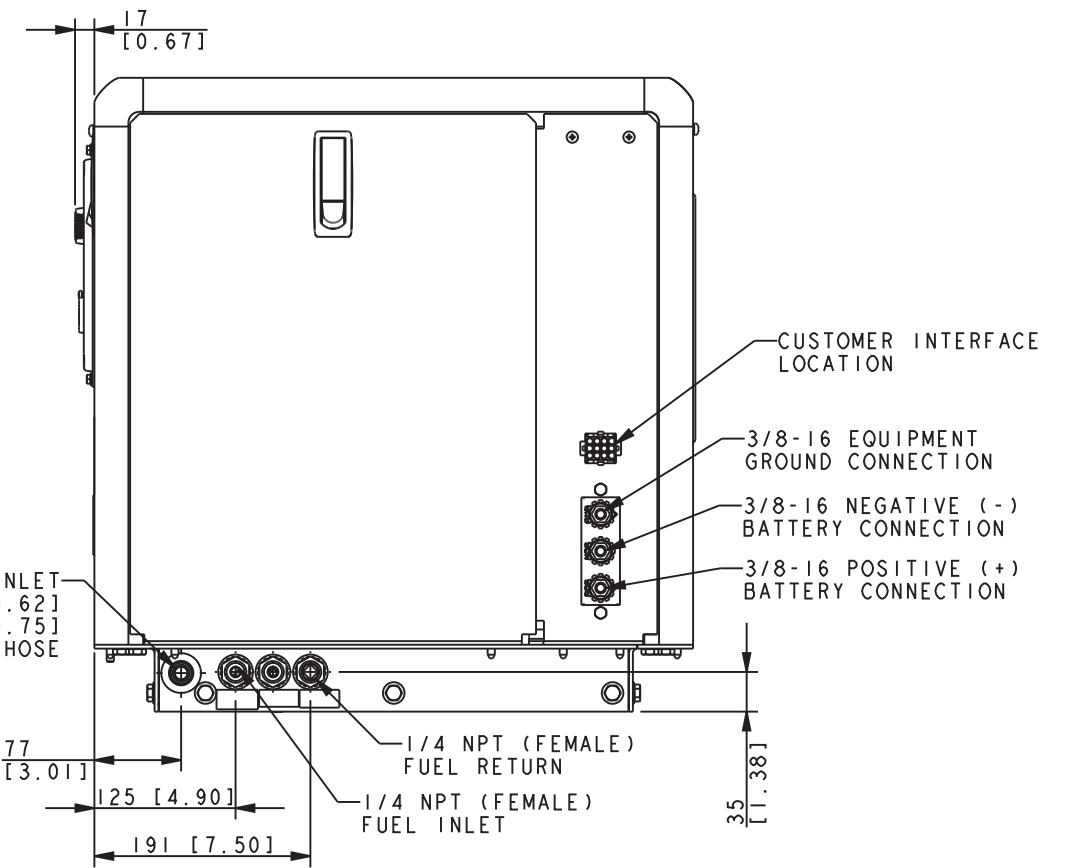
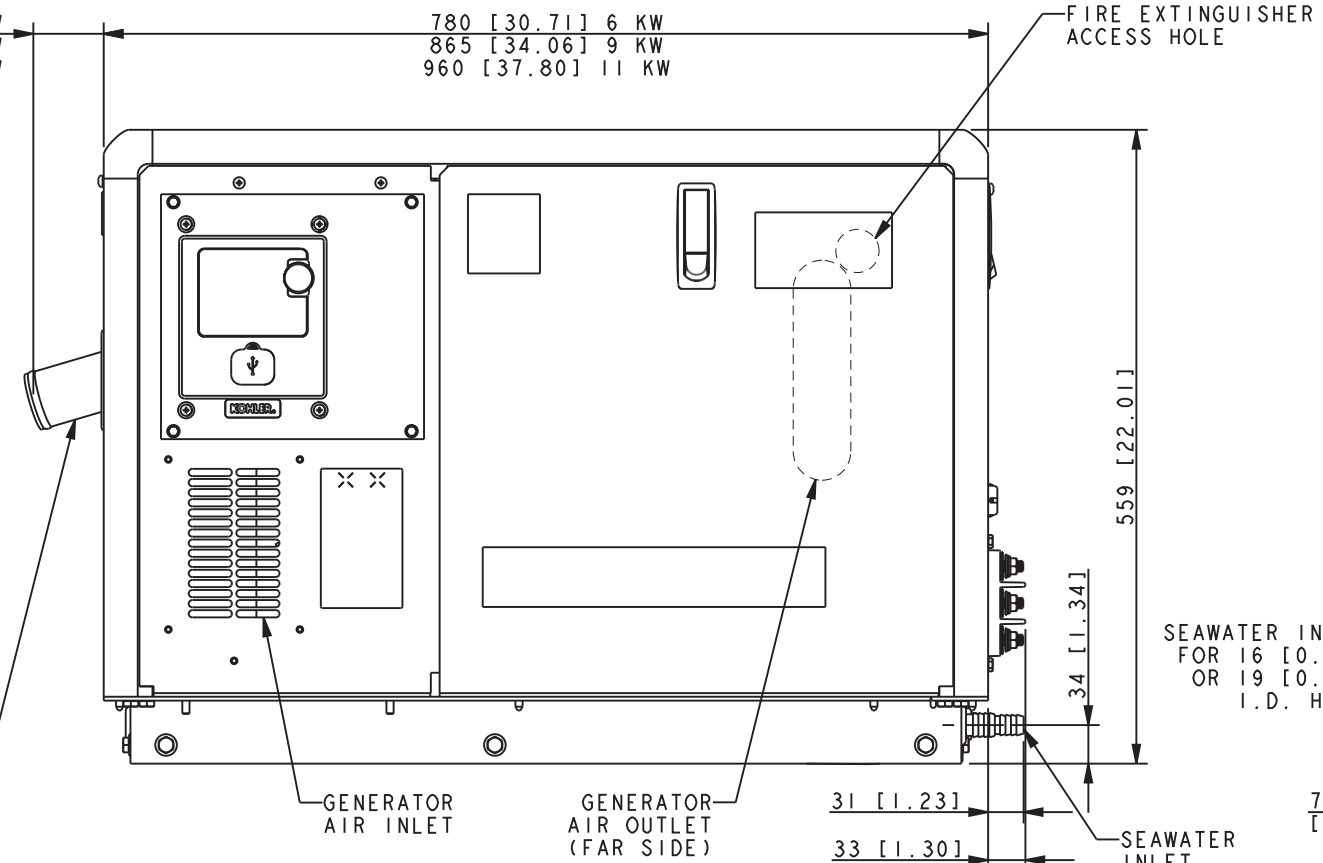
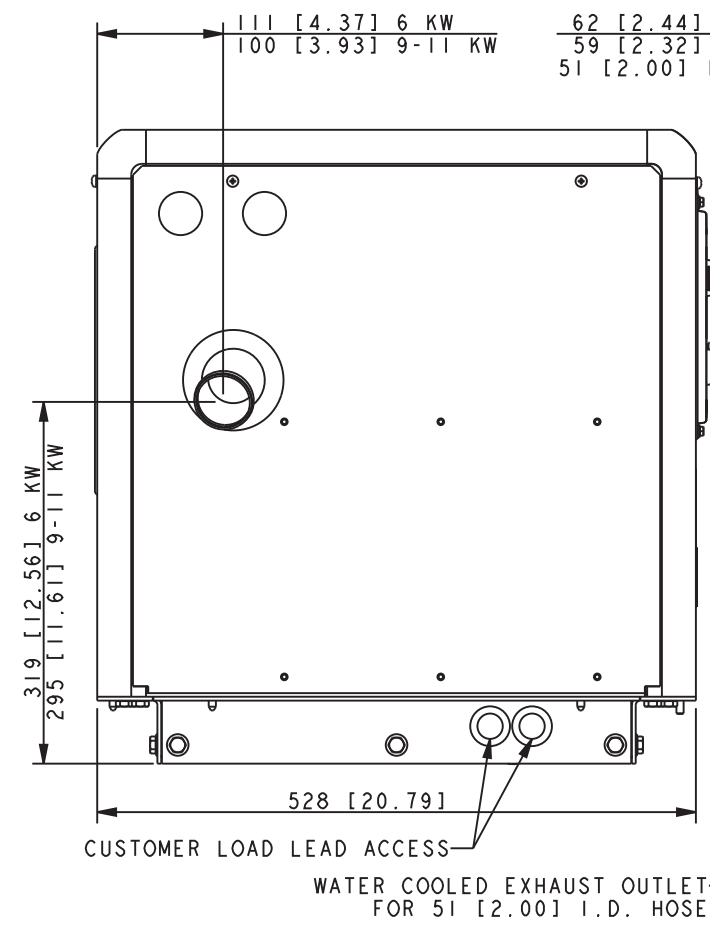
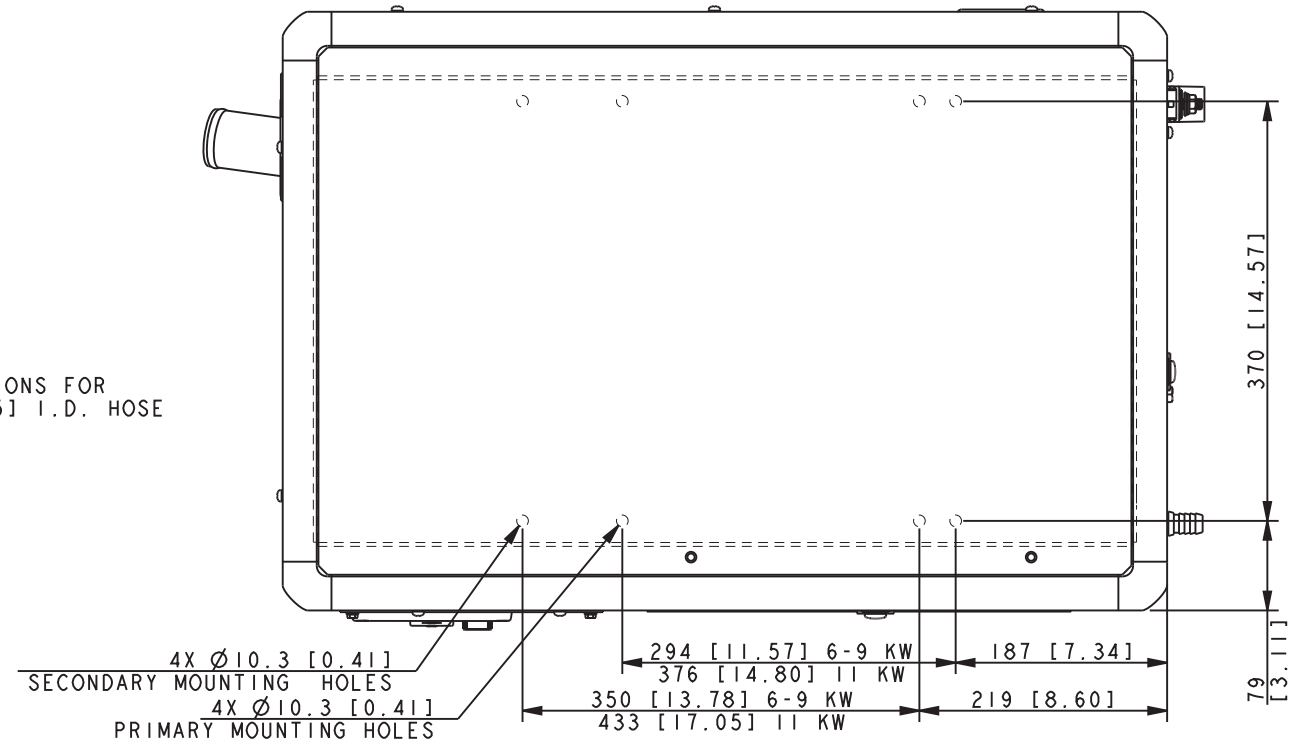
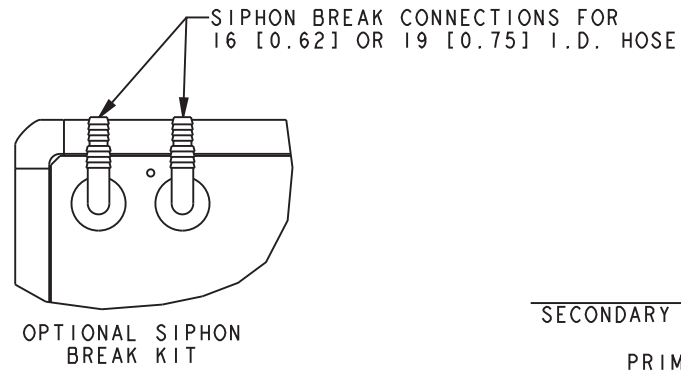
x.xx ±	SURFACE FINISH MAX.
x.x ±	
x ±	

THIRD ANGLE PROJECTION

KOHLER CO. METRIC PRO-E
POWER SYSTEMS, KOHLER, WI 53044 U.S.A.
THIS DRAWING IN DESIGN AND DETAIL IS KOHLER CO.
PROPERTY AND MUST NOT BE USED EXCEPT IN
CONNECTION WITH KOHLER CO. WORK. ALL RIGHTS OF
DESIGN OR INVENTION ARE RESERVED.

TITLE: **DIMENSION PRINT, 9-11 KW LOMBARDINI MARINE**

SCALE 0.40	CAD NO.	SHEET 2 of 2
DWG NO. ADV-7942		D



NOTE
 DIMENSIONS IN [] ARE INCH EQUIVALENTS.

6-11 KW
 LOMBARDINI MARINE
 SOUND SHIELDS

REV	DATE	ON COMPOSITE DWGS. SEE PART NO. FOR REVISION LEVEL	BY
-	9-27-10	NEW DRAWING [90488]	DDH
A	7-20-11	(B-2) CUSTOMER INTERFACE VIEW UPDATED; (A-3) 16 [0.62] I.D. ADDED TO SEAWATER INLET; (A-4) 31 [1.23] WAS 7 [0.29] [91292]	DDH

UNLESS OTHERWISE SPECIFIED -
 1) DIMENSIONS ARE IN MILLIMETERS
 2) TOLERANCES ARE:

X.XX ±
 X.X ±
 X ANGLES ±

THIRD ANGLE PROJECTION

APPROVALS DATE
 DRAWN DDH 9-27-10
 CHECKED DDH 9-27-10
 APPROVED BMZ 9-27-10

KOHLER CO. METRIC PRO-E
 POWER SYSTEMS, KOHLER, WI 53044 U.S.A.
 THIS DRAWING IN DESIGN AND DETAIL IS KOHLER CO. PROPERTY AND MUST NOT BE USED EXCEPT IN CONNECTION WITH KOHLER CO. WORK. ALL RIGHTS OF DESIGN OR INVENTION ARE RESERVED.

TITLE
DIMENSION PRINT, LOMBARDINI SOUND SHIELD

SCALE 0.30 CAD NO. SHEET 1 of 1
 DWG NO. **ADV-7943**