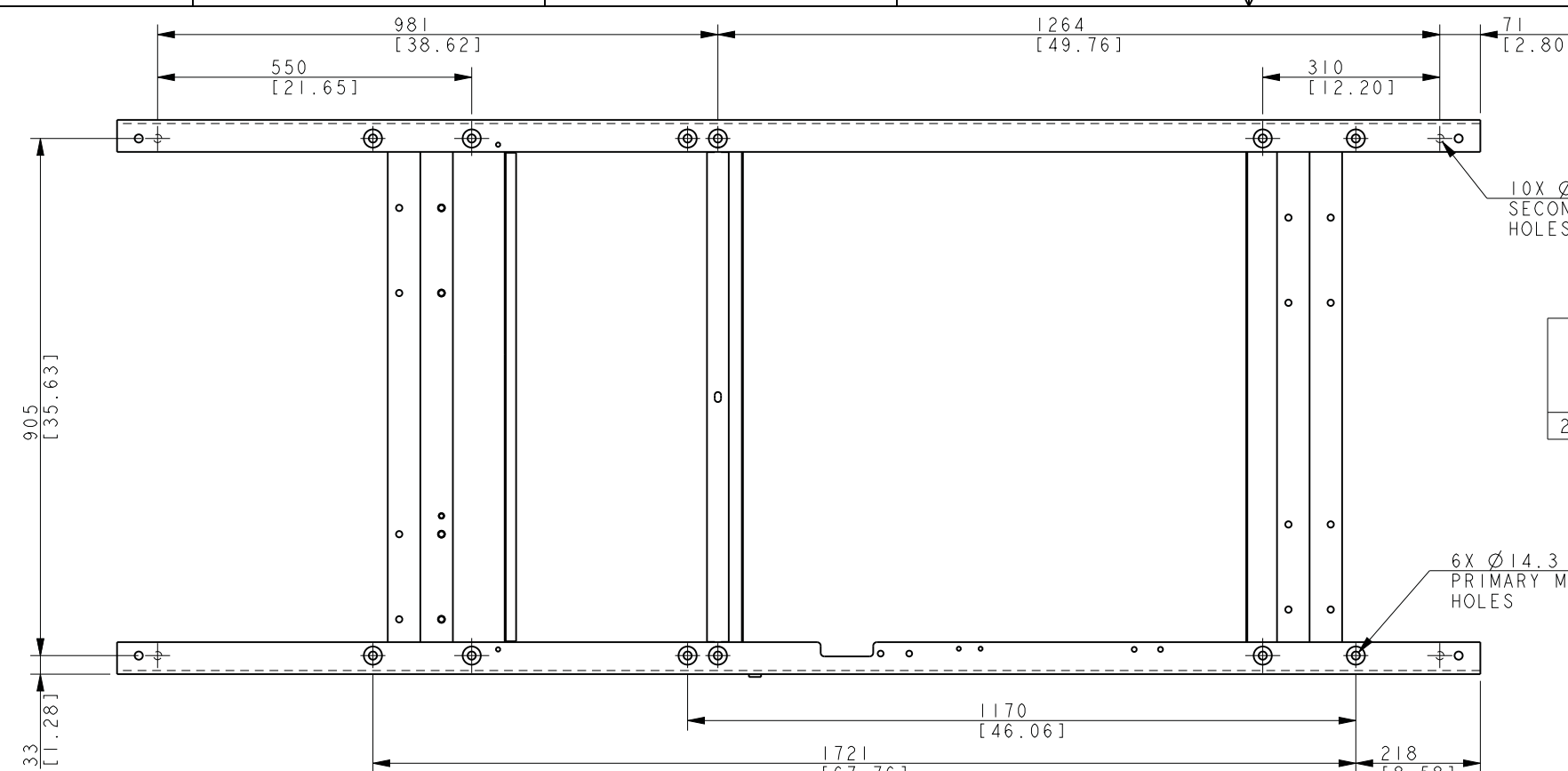
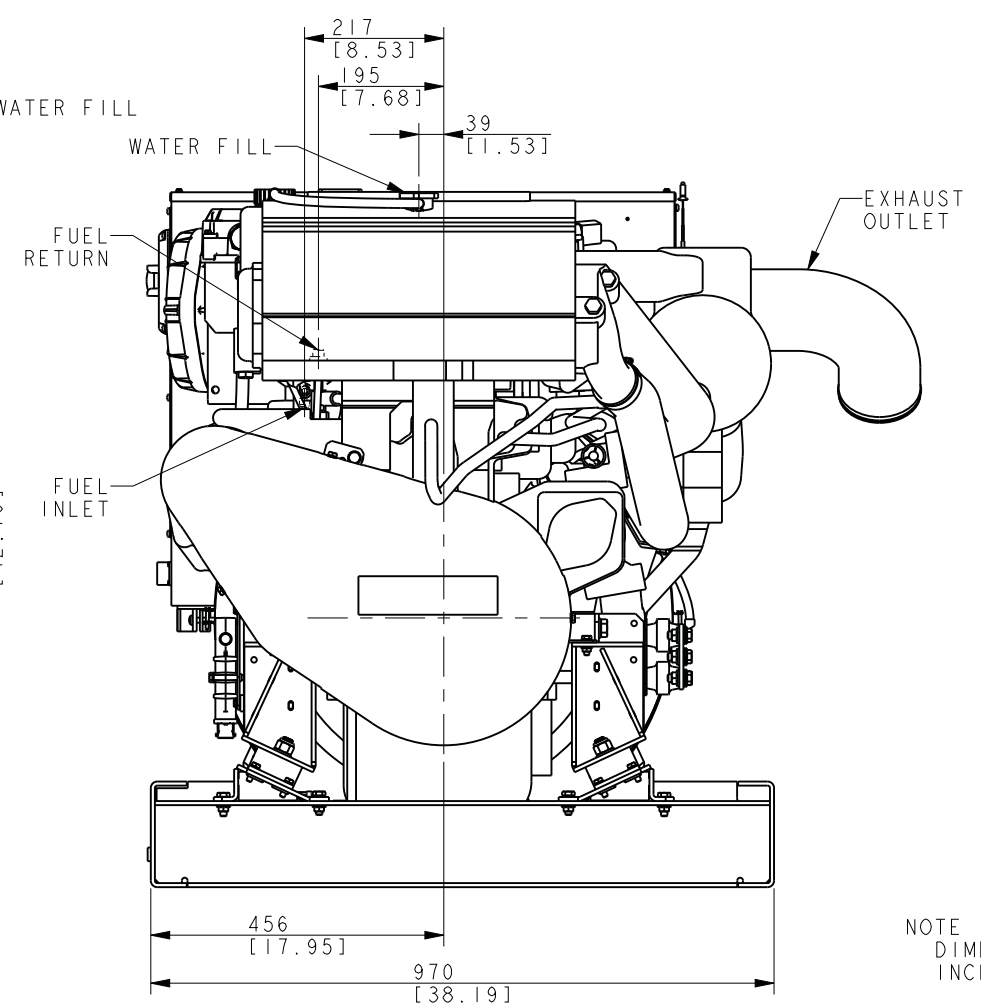
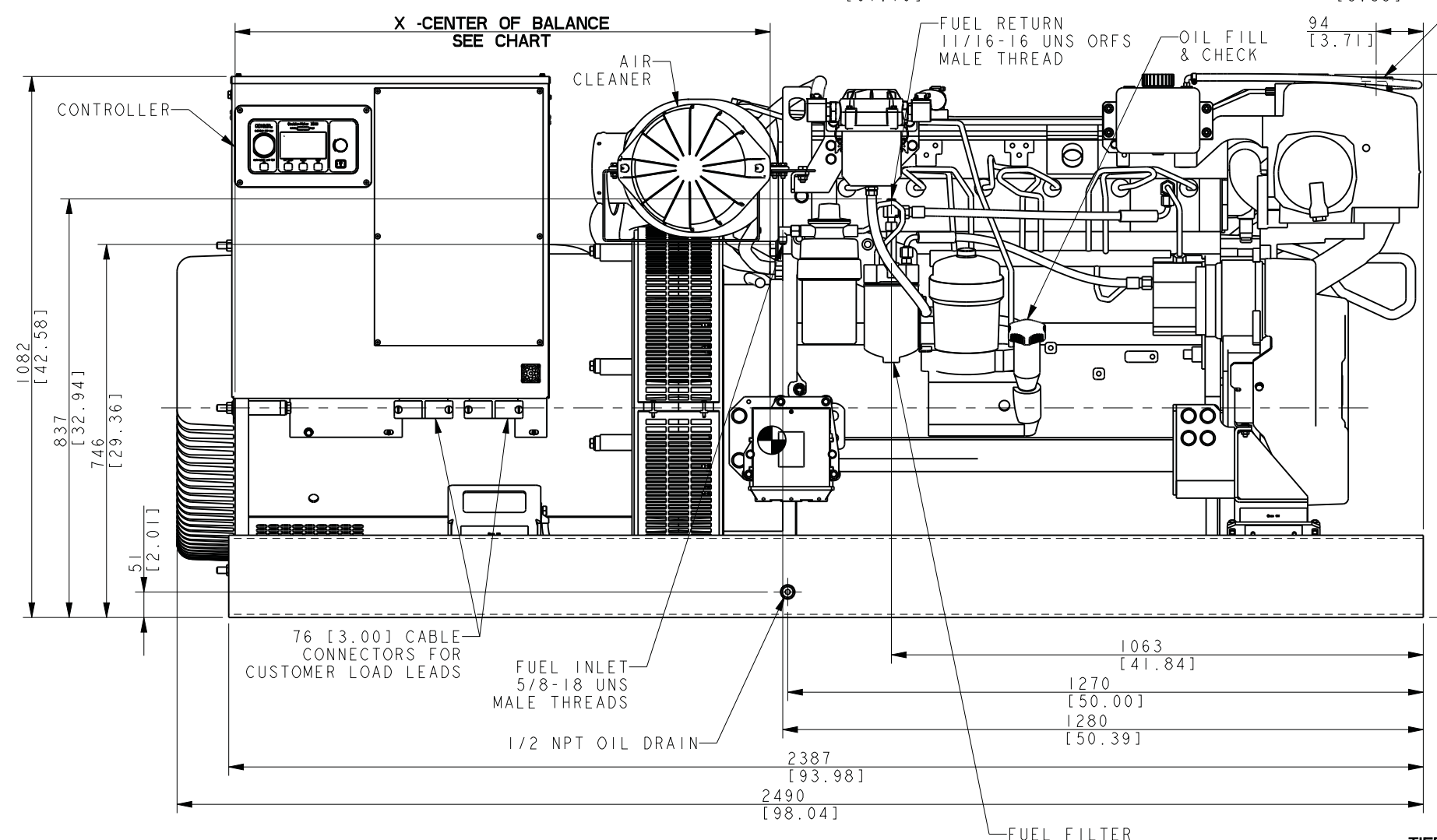


8 7 6 5 4 3 2 1



MODEL	WEIGHT		CENTER OF BALANCE (DIMENSION X)
	WET -KG [LBS]	DRY - KG [LBS]	MM [IN]
200EOZDJ/175EFOZDJ			

NOTE
CENTER OF BALANCE DIMENSION IS TAKEN FROM REAR OF ALTERNATOR END BRACKET.



NOTE
DIMENSIONS IN [] ARE INCH EQUIVALENTS.

TIER III
200EOZDJ/175EFOZDJ
JOHN DEERE MARINE

REV	DATE	ON COMPOSITE DWGS. SEE PART NO. FOR REVISION LEVEL	BY
-	10-17-14	NEW DRAWING [CT101342]	DDH

UNLESS OTHERWISE SPECIFIED -
1) DIMENSIONS ARE IN MILLIMETERS
2) TOLERANCES ARE:
X.XX ±
X.X ±
X ±
ANGLES ±

THIRD ANGLE PROJECTION

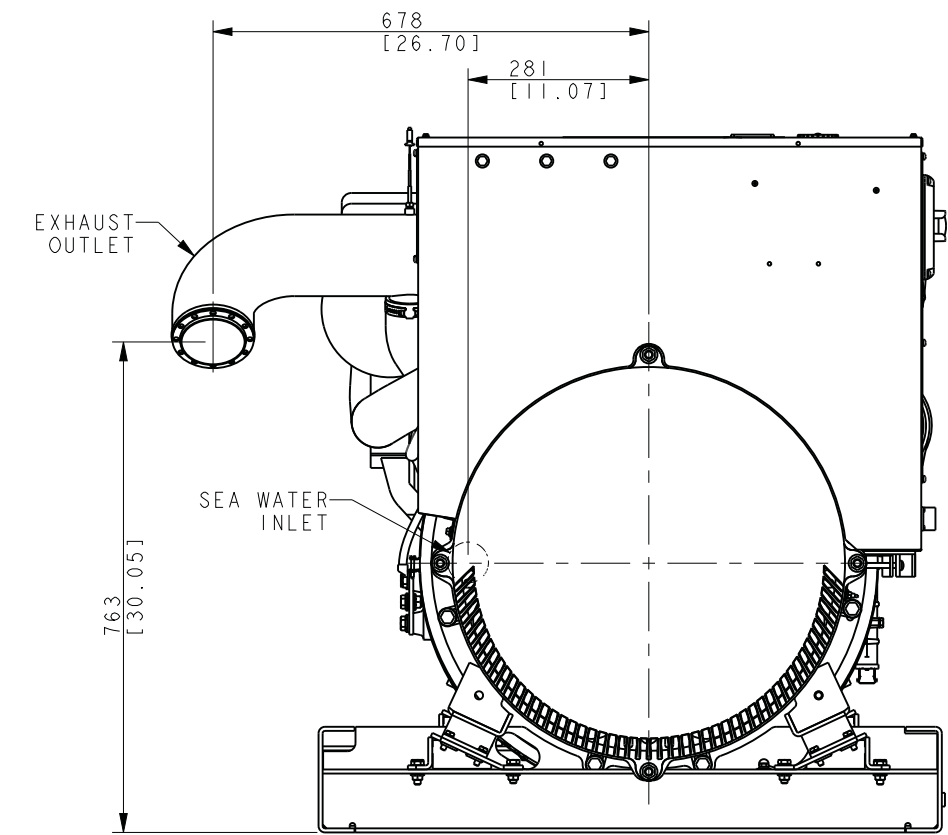
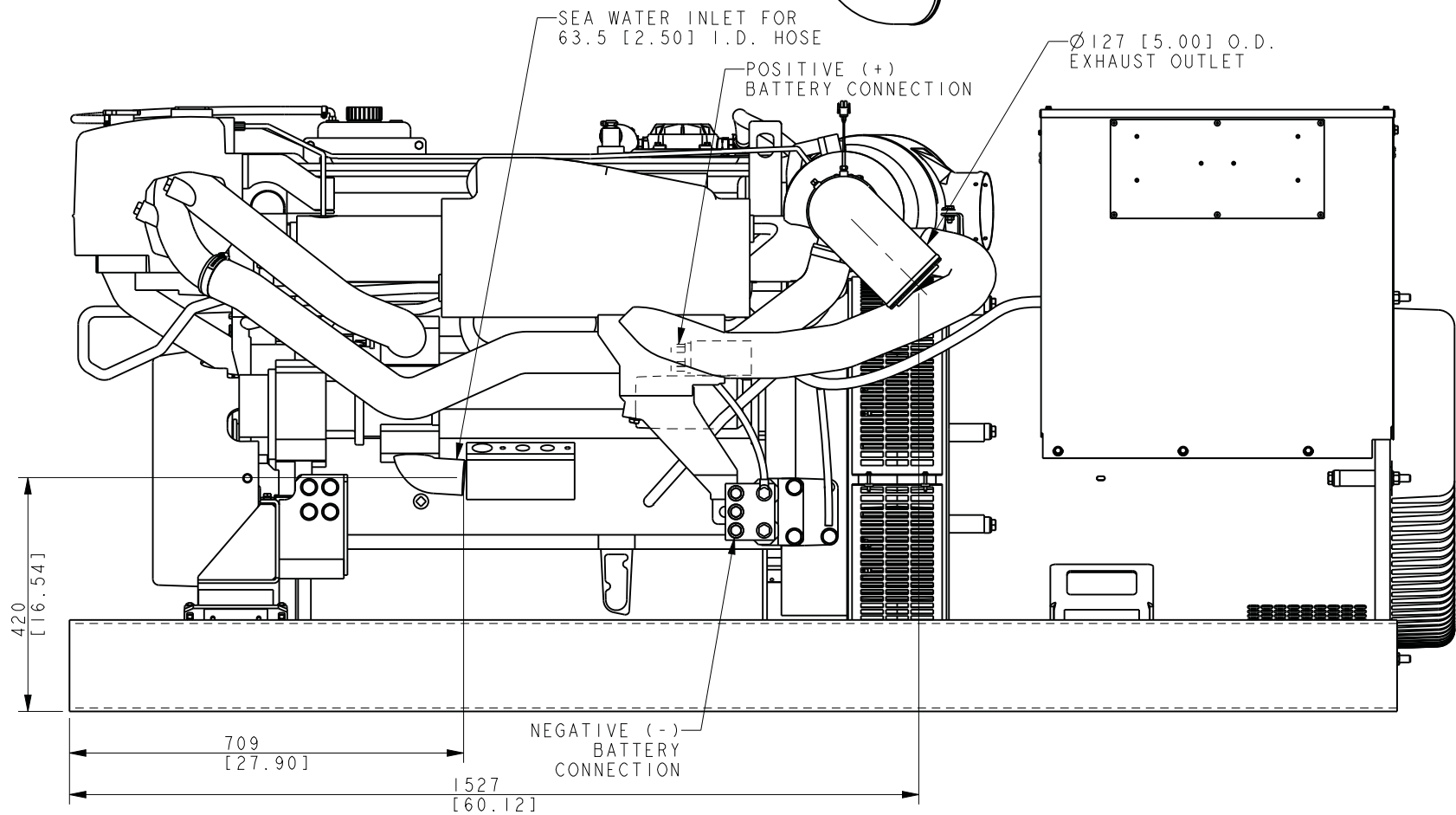
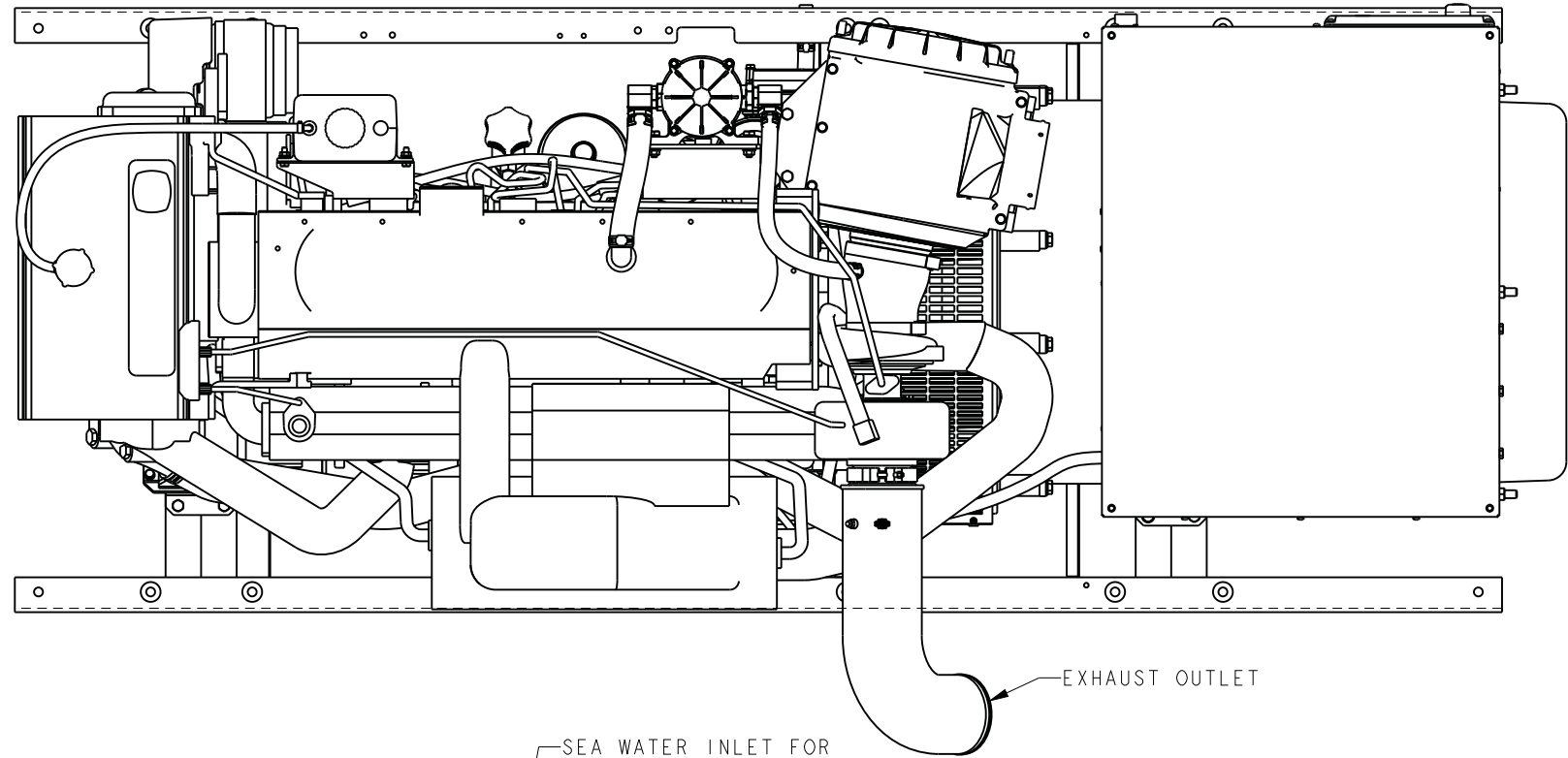
APPROVALS	DATE
DDH	10-17-14
DDH	10-17-14
TLW	10-17-14

KOHLER CO. METRIC PRO-E
POWER SYSTEMS, KOHLER, WI 53044 U.S.A.
THIS DRAWING IN DESIGN AND DETAIL IS KOHLER CO. PROPERTY AND MUST NOT BE USED EXCEPT IN CONNECTION WITH KOHLER CO. WORK. ALL RIGHTS OF DESIGN OR INVENTION ARE RESERVED.

TITLE
DIMENSION PRINT, 200EOZDJ JD MARINE

SCALE 0.17 CAD NO. SHEET 1 of 2
DWG NO. **ADV-8747** **D**

8 7 6 5 4 3 2 1



REV	DATE	ON COMPOSITE DWGS. SEE PART NO. FOR REVISION LEVEL	BY	UNLESS OTHERWISE SPECIFIED - 1) DIMENSIONS ARE IN MILLIMETERS 2) TOLERANCES ARE:	TITLE
-	10-17-14	NEW DRAWING [CT101342]	DDH	X.XX ± X.X ± X ± ANGLES ±	KOHLER CO. METRIC PRO-E POWER SYSTEMS, KOHLER, WI 53044 U.S.A. THIS DRAWING IN DESIGN AND DETAIL IS KOHLER CO. PROPERTY AND MUST NOT BE USED EXCEPT IN CONNECTION WITH KOHLER CO. WORK. ALL RIGHTS OF DESIGN OR INVENTION ARE RESERVED.
				THIRD ANGLE PROJECTION	DIMENSION PRINT, 200EOZDJ JD MARINE
				APPROVALS	DATE
				DRAWN DDH	10-17-14
				CHECKED DDH	10-17-14
				APPROVED TLW	10-17-14
				SCALE 0.17 CAD NO.	SHEET 2 of 2
				DWG NO. ADV-8747	D